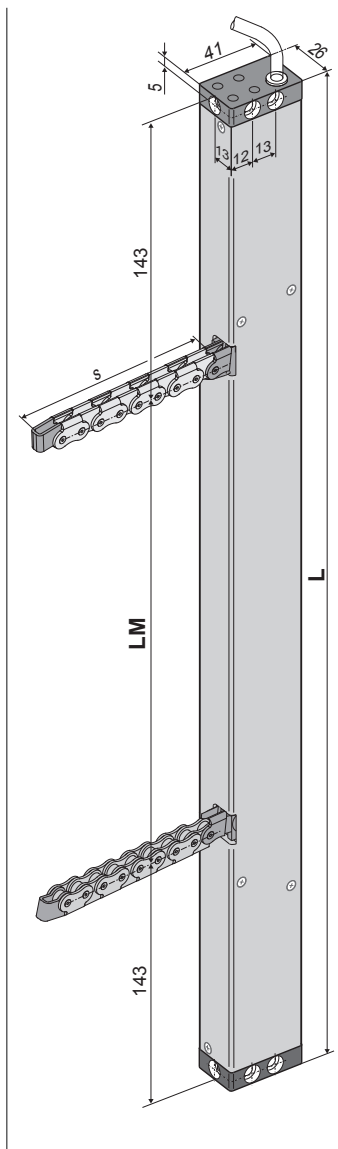


- Application: natural ventilation, SHEV, ferralux®-NSHEV
- Internal Intelligent Control Electronics S12
- Z-Version: Programmable feedback limit position „OPEN“ and „CLOSE“ (max. 24 V, 500 mA)

Options

- Programmable special functions
- M-COM for automatic synchronised run of multi drive systems and automatic sequence control with locking drives (S3 / S12)



TECHNICAL DATA

U_N Rated voltage 24V DC ($\pm 20\%$), max. 2 Vpp

I_N Rated current 1,4 A

I_A Cut-off current 2,0 A

P_N Rated power 34 W

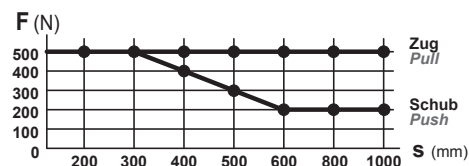
ED Duty cycle 30 % (ON: 3 min/OFF: 7 min.)

Protection rating IP 32

Ambient temperature range -5 °C ... +75 °C

F_Z Pulling force max. 500 N

F_A Pushing force



F_H Pullout force 1.800 N (fastening depended)

Chain Stainless steel, without protruding rivet heads. Simple connection to casement brackets. Small bending radii allow maximum opening angles of small windows.

Connecting cable non-halogen, grey 3 x 0,5 mm², ~ 3 m
Z-Version: 5 x 0,5 mm² ~ 3 m

v Speed $s < 400$ 8,0 mm/s 8,0 mm/s
 $s 500 - 600$ 12,0 mm/s 8,0 mm/s

s Stroke 50 – 1000 mm ($\pm 5\%$)

L Length see order data

LM Distance in between chains see order data

Sound pressure level A ≤ 70 dB (A)

ORDER DATA							
s [mm]	L [mm]	LM [mm]	Version	Finish	PU/pcs.	Part.-No.	
200	640	354	KS2 TWIN 200 S12 24V	E6/C-0	1	521820	
			KS2 TWIN 200 S12 24V Z	E6/C-0	1	521823	
400	830	544	KS2 TWIN 400 S12 24V	E6/C-0	1	521840	
			KS2 TWIN 400 S12 24V Z	E6/C-0	1	521843	
500	1060	774	KS2 TWIN 500 S12 24V	E6/C-0	1	521850	
			KS2 TWIN 500 S12 24V Z	E6/C-0	1	521853	
600	1060	774	KS2 TWIN 600 S12 24V	E6/C-0	1	521860	
			KS2 TWIN 600 S12 24V Z	E6/C-0	1	521863	

OPTIONS							
Special model		PU/pcs.	Part.-No.				
Drive housing painted/powder coated in other RAL colours							
Lump sum for coating				516030			
Specify at order stage:			1 – 20	516004			
			21 – 50	516004			
			51 – 100	516004			
			up 101	516004			
Extra length connecting cable:							
5 m – non-halogen, grey – 3 x 0,5 mm ²				501034			
10 m – non-halogen, grey – grau 3 x 0,5 mm ²				501036			
5 m – non-halogen, grey – 5 x 0,5 mm ²				501054			
10 m – non-halogen, grey – 5 x 0,5 mm ²				501056			
Microprocessor programming S12							
Electronic stroke reduction 24V S12				524190			
Programming drives 24V / 230V S12				524180			
Optional accessories			PU/pcs.	Part.-No.			
M-COM Configuration module for synchronised multi-drive systems			1	524177			