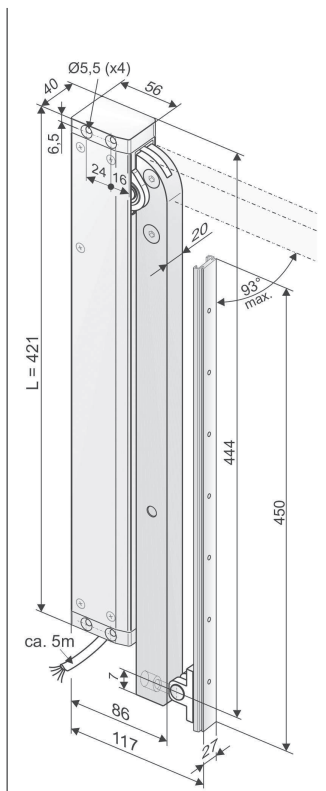




- Application: natural ventilation, SHEV
- Mainly for opening and closing of side-hung outward opening windows
- Internal intelligent cut-off switch S12
- Programmable contact for door opener

#### Options

- Programmable special functions
- M-COM for automatic synchronised run of multi drive systems and automatic sequence control with FV locking drives (S3/S12 SW V2)
- Various customised programmings on request



#### TECHNICAL DATA

$U_N$	Rated voltage	24V DC ( $\pm 20\%$ ), max. 2 Vpp
$I_N$	Rated current	0,8 A
$I_A$	Cut-off current	1,4 A
$P_N$	Rated power	20 W
ED	Duty cycle	30 % (ON: 3 min. / OFF: 7 min.)
	Protection rating	IP 32
	Ambient temperature range	-5 °C ... +75 °C
$M_A$	Torque OPEN	215 Nm (600 N)
$M_Z$	Torque CLOSE	215 Nm (600 N)
$F_H$	Pullout force	3000 N (fastening depended)
	Lever arm	aluminium (RAL9006)
	Connecting cable	non-halogen, grey 5 x 0,5 mm <sup>2</sup> , ~ 5 m
t	Running time (0° – 90°)	45 s (2,0°/s)  45 s (2,0°/s)
s	Stroke	0 – 93 DEG ( $\pm 5\%$ )
L	Length	455 mm
	Potential free contact	max. 24VDC / 0,5A programmable

## FTA600 GF S12 24V DC

ORDER DATA						
s [DEG]	L [mm]	Version	Finish	PU/pcs.	Part.-No.	
0° – 93°	455	FTA600 GF S12 24V	E6/C-0	1	524163	
Accessories				PU/pcs.	Part.-No.	
<b>K104</b> Casement bracket FTA600 GF				1	524173	

OPTIONS						
Special model		PU/pcs.	Part.-No.			
<b>Drive housing painted/powder coated in other RAL colours</b>						
Specify at order stage:	1 – 4		516004			
	5 – 9		516004			
	10 – 49		516004			
	50 – 99		516004			
	up 100		516004			
<b>Extra length connecting cable:</b>						
10 m – non-halogen, grey – 5 x 0,5 mm <sup>2</sup>			501056			
<b>Microprocessor programming S12</b>						
Electrical stroke reduction			1	524190		
Special functions				524180		
Optional accessories				PU/pcs.	Part.-No.	
M-COM Comm. module for synchronised multi-drive systems				1	524177	

Typical applications

