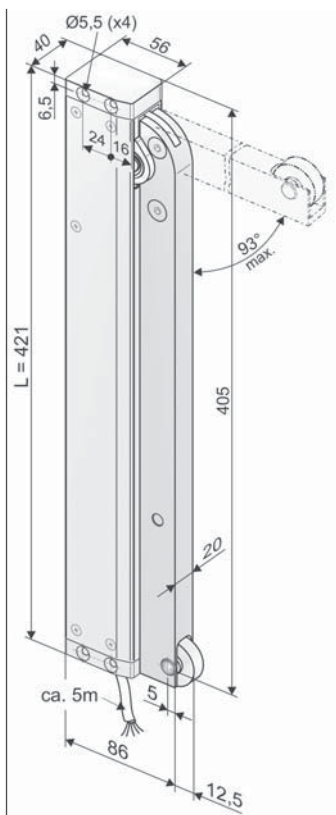


- Application: natural ventilation, SHEV
- Mainly for opening of doors as air inlets
- Internal intelligent cut-off switch S12
- Programmable contact for door opener

Options

- Programmable special functions
- M-COM for automatic synchronised run of multi drive systems and automatic sequence control with FV locking drives (S3/S12 SW V2)
- Various customised programmings on request



TECHNICAL DATA

U_N	Rated voltage	24V DC ($\pm 20\%$), max. 2 Vpp
I_N	Rated current	1,0 A
I_A	Cut-off current	1,4 A
P_N	Rated power	24 W
ED	Duty cycle	30 % (ON: 3 min. / OFF: 7 min.)
	Protection rating	IP 32
	Ambient temperature range	-5 °C ... +75 °C
M_A	Torque OPEN	215 Nm (600 N)
M_Z	Torque CLOSE	215 Nm (600 N)
F_H	Pullout force	3000 N (fastening depended)
	Lever arm	aluminium (RAL9006)
	Connecting cable	non-halogen, grey 5 x 0,5 mm ² , ~ 5 m
t	Running time (0° – 90°)	45 s (2,0°/s) 45 s (2,0°/s)
s	Stroke	0 – 93 DEG ($\pm 5\%$)
L	Length	421 mm
	Potential free contact	max. 24VDC / 0,5A programmable

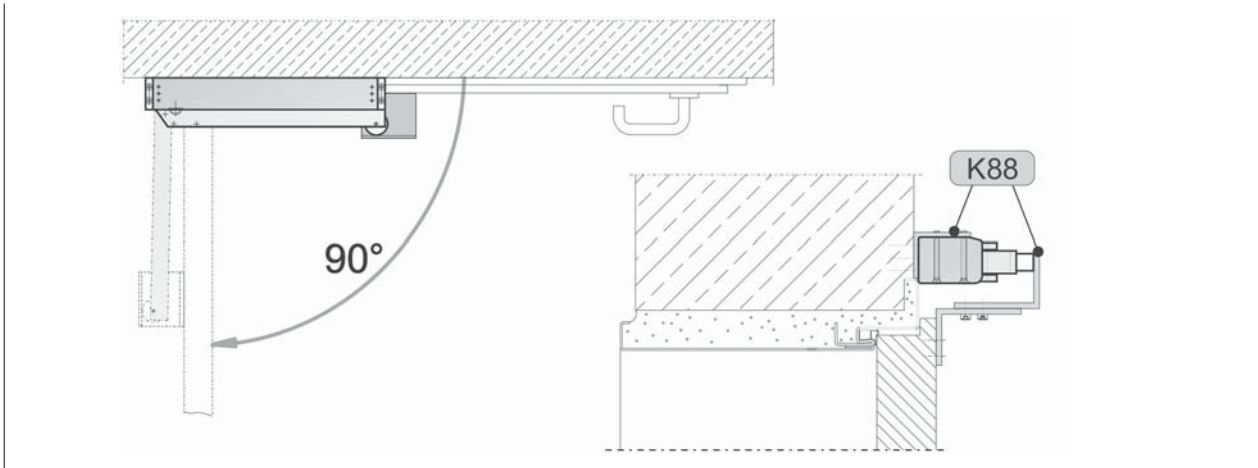
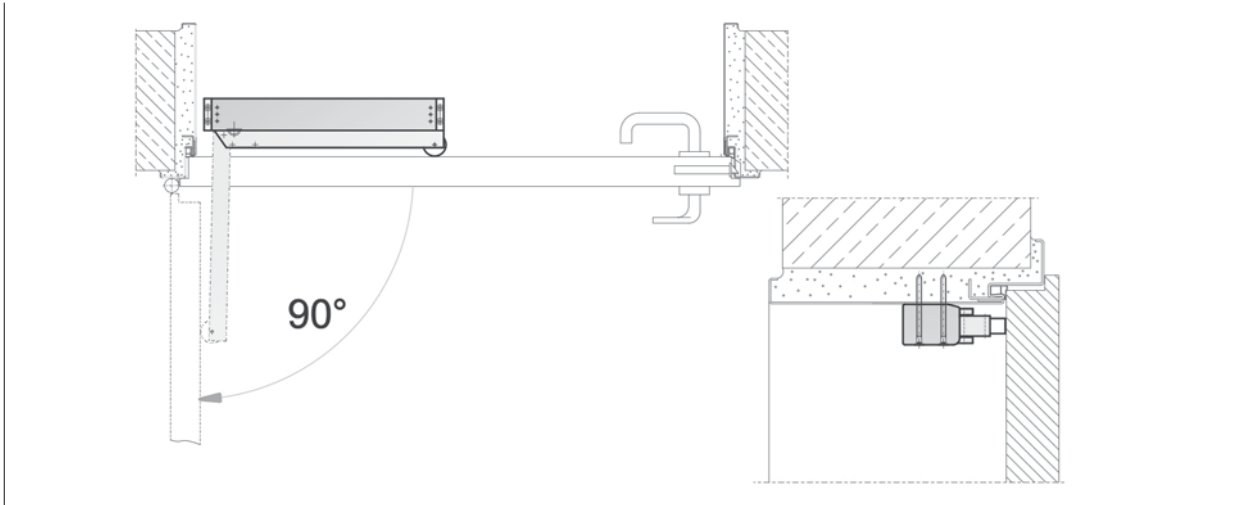
FTA600 R S12 24V DC

ORDER DATA						
s [DEG]	L [mm]	Version	Finish	PU/pcs.	Part.-No.	
0° – 93°	421	FTA600 R S12 24V	E6/C-0	1	524141	
Accessories				PU/pcs.	Part.-No.	
K88 Casement bracket FTA600 R				1	524156	

OPTIONS						
Special model		PU/pcs.	Part.-No.			
Drive housing painted/powder coated in other RAL colours						
Specify at order stage:		1 – 4	516004			
		5 – 9	516004			
		10 – 49	516004			
		50 – 99	516004			
		up 100	516004			
Extra length connecting cable:						
10 m – non-halogen, grey – 5 x 0,5 mm ²			501056			
Microprocessor programming S12						
Electrical stroke reduction		1	524190			
Special functions			524180			
Optional accessories				PU/pcs.	Part.-No.	
M-COM Comm. module for synchronised multi-drive systems				1	524177	

MOUNTING APPLICATIONS FTA600 R

Typical applications



Contact diagramm

