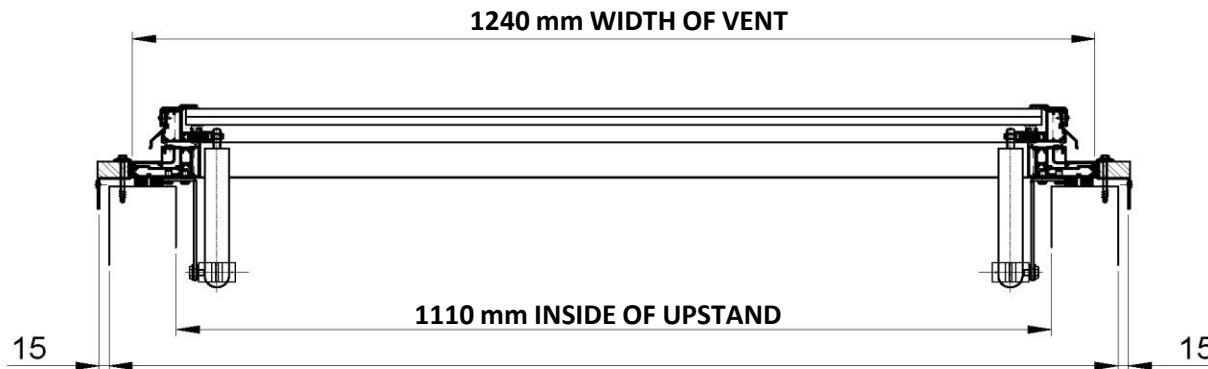
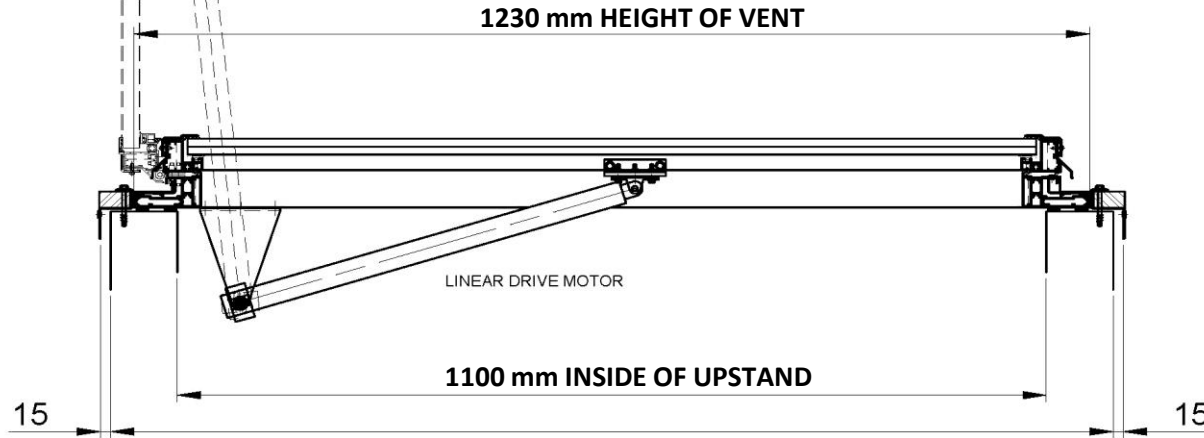


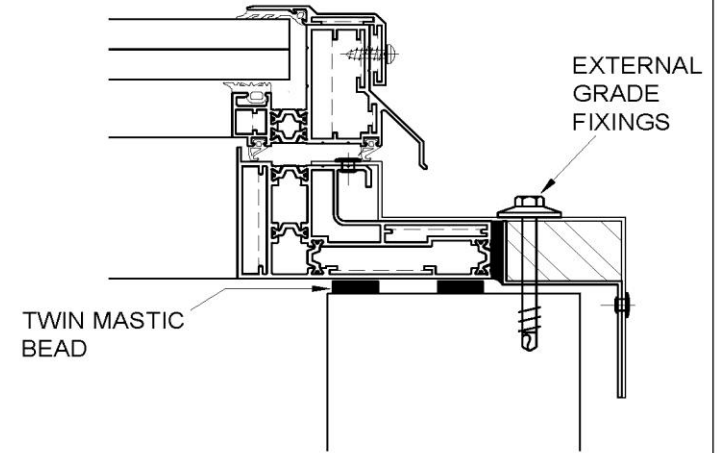
# STIRLING MKII VENT

PART NUMBER: STREN1240X1230/T/DG/SDC/P/90



## DESCRIPTION:

STIRLING MKII CASEMENT VENT," ROOF APPLICATION (W)1240mm X (H) 1230mm TURN DOWN BASE 28mm STD DOUBLE GLAZED, TOUGHENED OUTER, LAMINATED INNER, SPINDLE ACTUATOR OPERATION 24V DC OPEN/CLOSE 90 DEGREE OPENING - PAINTED TO (RAL)



UPSTAND TO HAVE MINIMUM 2° SLOPE VENT INSTALLED WITH HINGE AT DOWNSLOPE

This diagram shows a 2-degree slope. The vent is installed with the hinge at the downslope.

## VENT FREE AREA

**GEOMETRIC FREE AREA = 1.06 m<sup>2</sup>**

**APPROVED DOC. B, FREE AREA = 1.00 m<sup>2</sup>**

**AERODYNAMIC FREE AREA = 0.61 m<sup>2</sup>**