

WSC 104 CompactSmoke™

Installation instruction

For firmware version from 1.03

(Version 2307)



Save this installation instruction to the end-user

The latest version of this document can always be found on our website

UK +44 (0) 1536 614 070
IE +353 1903 9455
Other markets +45 4567 0300

info.uk@windowmaster.com
info.ie@windowmaster.com
info.dk@windowmaster.com

www.windowmaster.com

1	Safety information	3
1.1	Safety	3
1.2	230V AC	3
1.3	Back-up batteries	3
1.4	Application	3
1.5	Cable routing and electrical connection	3
2	Structure of the smoke panel	4
2.1	ISO 21927-9 related data	4
2.1.1	Access levels	5
3	Max numbers of actuators per motor line and panel	5
4	Accessories and spare parts	6
5	Technical data	7
6	Mounting	8
7	Installation	8
7.1	Cable routing	8
7.2	Cables into housing	9
7.3	Connection of safety earth wire and 230V AC	9
7.4	Installation of the break glass unit, ventilation keypad and smoke detector	9
7.5	Assembly instructions	9
8	Cable dimensioning	9
8.1	Maintaining the cable functions	9
8.2	Max. cable Length	9
8.2.1	Formula for the calculation of the maximum actuator cable length	10
8.2.2	Max cable length – $\pm 24V$ standard actuators	10
8.2.3	Max cable length – actuators with MotorLink®	10
8.2.4	Max cable length – Pyrotechnic gas generator	11
9	Cable plan for connection to WSC 104	12
10	Description of card and mains connection	12
10.1	Mains connection and power supply (WCA 1P1)	12
10.2	Main card WSA 1SS	13
11	DIP switch configuration	19
12	Back-up batteries	19
13	Configuration of panel	20
13.1.1	Motor line	20
13.1.2	Smoke zone	20
13.1.3	Local input	20
13.1.4	Local output	20
14	Fault detection via LED	20
14.1	Fault detection on the smoke panel	20
14.2	Fault indication on break glass unit	22
15	Hardware error	22
15.1	Error on the Power supply	22
15.1.1	Blown fuses – 6.3A slow	22
16	Commissioning and test run	22
16.1	The control ventilation panel is completely installed, without the operating voltage applied	22
16.2	With mains voltage, without accumulator	22
16.3	With mains voltage, with accumulator	22
16.4	Ventilation keypad	23
16.5	Break glass unit WSK 50x	23
16.6	Smoke detectors	23
16.7	Emergency power supply test	23
16.8	Wind/rain detector	23
17	Maintenance	23
17.1	Maintenance agreements	24
17.2	Replacement 1SS card	24
18	Declaration of Conformity and Declaration of Performance	24
	Appendix A - WSC 104 S 0101 – DIP Switch setting log	25

1 Safety information

1.1 Safety

Only allow correspondingly trained, qualified and skilled personnel to carry out installation work.

Reliable operation and the avoidance of damage and hazards are only guaranteed if installation and settings are carried out carefully in accordance with these instructions.

There may be personal danger by electrically operated windows:

- the forces occurring in the automatic mode can be such that parts of the body could get crushed
- when opened, actuators (spindles) could protrude into the room

For this reason, measures have to be taken prior to starting up the actuators, which exclude the danger of injury.

For safety reasons we recommend installing opening restrictors on bottom-hung windows.

If windows are subjected to rain and/or high wind loads, we recommend connecting a wind/rain sensor to the smoke ventilation panel for the automatically closing of the windows.

The smoke ventilation panel is to be located in a safe place, protected from the effects of fire and smoke.

The smoke ventilation panel is to be surface mounted.

The smoke ventilation panel has two energy suppliers: 230V AC and back-up batteries.

The manufacturer does not assume any liability for possible damage resulting from inappropriate use.

1.2 230V AC

230V AC can cause death, severe injury or considerable damage to assets.

The connection of the smoke ventilation panel is reserved for qualified personnel.

Disconnect all poles of the panel from the supply voltage prior to opening, installation or assembling.

Installation and use according to the national regulations.

1.3 Back-up batteries

Back-up batteries 2 batteries per panel can cause severe injury or considerable damage to assets.

The connection of the smoke ventilation panel is reserved for qualified personnel.

Disconnect all poles of the panel from the back-up batteries prior to installation or assembling.

Ensure that the mains cable can be switched via an external or customer-supplied two-pole switch element or a switch element controlling all poles – see section 7.1 “Cable routing”

Installation and use according to the National regulations.

Dispose of used batteries according to the National regulation.

CAUTION

RISK OF EXPLOSION IF BATTERIES ARE REPLACED BY AN INCORRECT TYPE.

1.4 Application

The smoke ventilation panel is exclusively designed for the automatic opening and closing of smoke extraction systems, windows, flaps or doors.

Always check that your system meets the valid national regulations.

Pay particular attention to the opening cross section, the opening time and opening speed.

The cable cross sections depend on the cable length and current consumption (amperage).

1.5 Cable routing and electrical connection

Fuse the 230V AC power supply cable separately on site.

Cable routing and connection - adhere to national regulations.

Establish the cable types, if necessary, with the local approval bodies or the fire protection authority.

Do not conceal flexible cables.

Junction box must be accessible for maintenance purposes.

Disconnect all poles of the mains voltage and the back-up batteries prior to starting maintenance work or making changes to the system.

Secure the system to prevent unintentional switching on again.

Route all low voltage cables (24V DC) separate from the power current cables.

Design cable types, lengths, and cross sections in accordance with the technical information.

Cable specifications is a guide only, the overall responsibility resides with the electrical contractor on site.

Installation must be in accordance with the national electrical regulations.

2 Structure of the smoke panel

The WSC 104 contains a power supply unit (SMPS) type WCA 1P1, and a main card type WSA 1SS with input, output and auxiliary supply (AUX).

The main card type WSA 1SS allows connections of 1 motor line and 1 keypad.

The motor line can be used for either a $\pm 24V$ standard actuators or MotorLink[®] actuators. The motor line only can have $\pm 24V$ standard or MotorLink[®] actuators connected. The smoke panel automatically detects whether $\pm 24V$ standard or MotorLink[®] actuators have been connected to the panel.

Alternatively, a pyrotechnic gas generator can be connected to the smoke control panel. If a pyrotechnic gas generator is connected, DIP-switch 8 must be set to ON.

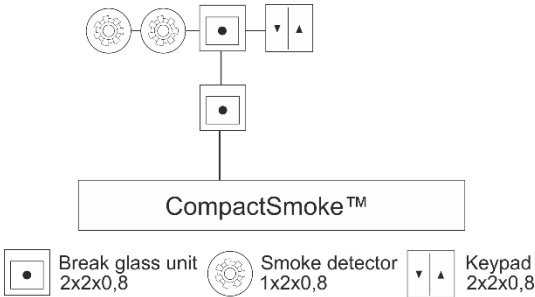
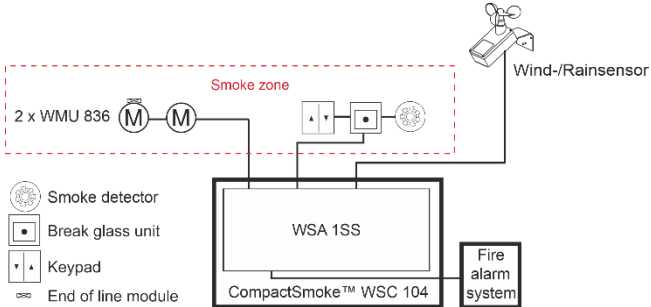
Break glass unit

Break glass unit type WSK 50x are to be used together with WSC 104.

Smoke zone

Only 1 independent smoke zone can be implemented by the panel.

Inputs

<p>Cabling</p> <p>The WSC 104 CompactSmoke™ uses bus technology and the overall cabling for break glass units, smoke detectors and keypads is significantly reduced compared to other types of smoke panels.</p> <p>The main card has 1 input for a smoke detector, 1 input for break glass units (where up to 5 break glass units can be connected) and 1 input for ventilation keypads (no max number of keypads).</p> <p>Smoke detectors are either connected to the smoke detector input or to a break glass unit (type WSK 501 / 502).</p>	
<p>System example</p> <p>The keypad and smoke detector are cabled directly to the break glass unit in the smoke zone, which means that the need for cabling in the building is significantly reduced.</p> <p>A wind/rain sensor is connected to close the windows during comfort ventilation in case of high wind and/or rain.</p> <p>The smoke ventilation panel is connected to the Fire Alarm System.</p>	

2.1 ISO 21927-9 related data

The following optional indications, as defined in ISO 21927-9 clause 5 are included

- Audible indication
- Output to fire alarm
- Output of the fault conditions

The panel is an ISO 21927-9 Type D panel.

Minimum 1 break glass unit type WSK 5xx must be installed together with the panel, for the panel to conform with the ISO 21927-9 standard.

2.1.1 Access levels

Level	Access to	Who has access
1	<i>Public</i> You can see the smoke ventilation panel and break glass unit from the outside with the doors closed and locked	Everyone / General public
2	<i>Operation</i> You can open the break glass unit and reset the system	Chosen person e.g., building facility manger with a special key to break glass unit.
3	<i>Configuration</i> You can open the panel house; manual operate the windows as well as change the DIP switch settings.	Chosen persons with a special key and authorized to re-configure and service the panel e.g., a trained technician.
4	<i>Maintenance</i> Administrative overall level: for operating as well as updating with new software.	A trained technician, with access to the key to the panel, authorized by WindowMaster to upgrade the firmware of the panel and with a computer running the upgrading application, supplied by WindowMaster.

3 Max numbers of actuators per motor line and panel

The table shows the maximum number of actuators, which can be connected to the motor line / panel depending on the type of the actuators.

	Per WSC 104	
	± 24V Actuator	MotorLink® Actuator ¹⁾
WMD 820-1	4	4
WMD 820-2	4	2
WMD 820-3	3	3
WMD 820-4	4	4
WMS 306-1	4	4
WMS 306-2	4	2
WMS 306-3	3	3
WMS 306-4	4	4
WMS 309-1	4	4
WMS 309-2	4	2
WMS 309-3	3	3
WMS 309-4	4	4
WMS 409 xxxx 01	2	0
WMS 409-1	2	4
WMS 409-2	2	2
WMU 831 / 836 / 851-1	4	4
WMU 831 / 836 / 851-2	4	2
WMU 831 / 836 / 851-3	3	3
WMU 831 / 836 / 851-4	4	4
WMU 861-1	4	4
WMU 861-2	4	2
WMU 861-3	3	3
WMU 861-4	4	4
WMU 842 / 852 / 862 / 882-1	2	2
WMU 842 / 852 / 862 / 882-2	2	2
WMU 863 / 883-1	1	1
WMU 864 / 884-1	1	1
WMX 503 / 504 / 523 / 526-1	8	4
WMX 503 / 504 / 523 / 526-2	8	2
WMX 503 / 504 / 523 / 526-3	6	3
WMX 503 / 504 / 523 / 526-4	8	4

	± 24V Actuator	MotorLink® Actuator ¹⁾
WMX 803 / 804 / 813 / 814 / 823 / 826-1	4	4
WMX 803 / 804 / 813 / 814 / 823 / 826-2	4	2
WMX 803 / 804 / 813 / 814 / 823 / 826-3	3	3
WMX 803 / 804 / 813 / 814 / 823 / 826-4	4	4
WML 820/825	4	0
WML 860-1	4	4
WML 860-2	4	2
WML 860-3	3	3
WML 860-4	4	4
WMB 801/802 ²⁾	max. 4A connected to the WMB	
WMB 811 / 812 / 815 / 816 / 817 / 818 ²⁺³⁾	4	2

¹⁾ MotorLink™ actuators must be of the same type and with same configuration

²⁾ Do not exceed the total power consumption of the motor line

³⁾ When having two locking actuators on the motor line, it must be one of each type: 1 x WMB 811 and 1 x WMB 812, WMB 815 and WMB 816, or WMB 817 and WMB 818

4 Accessories and spare parts

Accessories	
Back-up battery for WSC 104 – 3.4Ah (2 x WSA 003 per panel)	WSA 003
Break glass unit, primary, with data communication, PVC housing. With input for smoke detector and comfort keypads. Only one unit per panel. x = colour of the housing: 1=red, 2=yellow, 3=grey, 5=orange	WSK 501 000x
Break glass unit, primary, with data communication, metal housing. With input for smoke detector and comfort keypads. Only one unit per panel. x = colour of the housing: 2=yellow, 3=grey, 5=orange	WSK 502 000x
Break glass unit, primary, with data communication, PVC housing. No input for smoke detector or keypad. Max five units per panel. x = colour of the housing: 1=red, 2=yellow, 3=grey, 5=orange	WSK 503 000x
Break glass unit, primary, with data communication, metal housing. No input for smoke detector or keypad. Max five units per panel. x = colour of the housing: 2=yellow, 3=grey, 5=orange	WSK 504 000x
Smoke detector	WSA 311
Rain sensor	WLA 331
Rain/wind speed sensor	WLA 330
End of line motor module	WSA 514
End of line smoke detector module (10kΩ resistor), 10 pcs.	WSA 501
Cable glands	WSA 133
Cables for smoke ventilation – see separate data sheet for further information	WLL 8xx
Comfort keypad for 1 window or 1 window group	WSK 110 0A0B
Spare parts	
4A power supply unit for WSC 104	WCA 1P1
Main card incl. cover	WSA 1SS
Replacement glass for break glass units' type WSK 501 / 502 / 503 / 504, 5 pcs.	WSK 397
Keys for break glass units' type WSK 501 / 503, 5 pcs.	WSK 398
Keys for break glass units' type WSK 502 / 504, 1 pcs.	WSK 453
Lockable replacement PVC housing for break glass unit x=colour of the housing: 1 = red, 2 = yellow, 3 = grey, 5 = orange	WSK 399 000x

5 Technical data

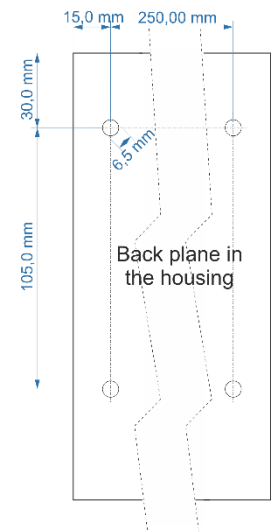
Technical data	
Output current (nominal)	4A
Secondary voltage	Voltage 24V DC ($\pm 15\%$) Open circuit voltage (no load) 24V DC @ 20°C Ripple at max load 150mVp-p
AUX	24V DC, 500mA
Motor lines Smoke zones	1 motor line – the line can be either $\pm 24V$ standard motor line or MotorLink® motor line. 1 smoke zone.
Primary voltage	230V AC, 50Hz (85-264V AC, 47-63Hz)
Power consumption	min 0.3W ² , typ. 0.2W ¹ . At max load 110W ³ 1) min. config. idle: 1 x break glass unit WSK 501 and 1 x smoke detector WSA 311, system operational but no actuators are running 2) min idle: 1 x break glass unit WSK 501, 4 x break glass unit WSK 503, 4 x smoke detector WSA 311 and 1 x rain sensor WLA 330 3) max load: 1 x break glass unit WSK 501, 4 x break glass unit WSK 503 and 10 x smoke detector WSA 311 in alarm
Leakage current	Max 1.4mA @ 240VAC
Inrush current on primary site	50A / 230VAC Max. 7 x WSC 104 per 10A supply group. Circuit breaker "C" characteristic.
$\pm 24V$ change over time	min 500ms
Back-up batteries	2 x WSA 003 (12V / 3.4A), Expected lifetime max 4 years, only use genuine WindowMaster batteries
Emergency power	>72 hours in accordance with EN 12101-10
Charging unit (integrated in WCA 1SS card)	Charging voltage: 27.7 – 27.8V at 20°C Charging current: 700mA current limited
Priority	Smoke signal has always highest priority
Cable monitoring	$\pm 24V$ standard actuators with end of line module and smoke detectors are monitored. Actuators with MotorLink® and break glass units are monitored by data communication. Back-up batteries are monitored by cyclic measuring
LED message OK, fault and alarm	Green all OK Yellow fault Red fire
Reopening the actuators	Every 2.min. in 30min. after a SHE open (selectable) Pre-set: <u>no</u> reopening
Connection cable	Actuators flexible max 6 mm ² / solide max 10 mm ² Other components min 0,2mm ² / max 1,5mm ²
Operating conditions	-5°C - +40°C, max. 95% relative humidity (not condensing) EN 12101-10: Operation class A, Environmental class 1, IP30
Max actuator activation duration (duty cycle)	ED 40% (4min. per 10min.)
Max allowed current drawn from the battery when the primary power source is disconnected	4A incl. AUX The total current consumption may not exceed 4A incl. load on AUX (max. 500mA)
Max interruption time during switching between power sources	<2.0sec

Break glass unit	Up to 5 break glass units type WSK 50x can be connected to the panel, but only 1 WSK 501 / 502 per panel. Smoke detectors and ventilation keypads can only be connected to the break glass units type WSK 501 / 502. Smoke detectors and ventilation keypads <u>cannot</u> be connected to WSK 503 / 504. Up to 10 smoke detectors can be connected to the system. Smoke detectors can either be connected to the WSK 501 / 502 and/or the smoke detector input on the main card. There is no limit on the number of ventilation keypads connected to the WSK 501 / 502.
Number of motor lines	1 x 4A motor line for $\pm 24V$ standard or MotorLink [®] actuators
Material	Plastic housing for surface mounting
Colour	White (RAL 9016)
Size	224 x 283 x 85mm (H x W x D)
Weight	1.2kg no batteries, 4kg with batteries (2 x WSA 003)
Protection class	IP30
Approval / certification	Approved and certified according to EN 12101-10 and ISO 21927-9
Delivery	CompactSmoke™ smoke ventilation panel, 4 x 10k Ω resistors, 1 x WSA 514 end of line module. Back-up batteries included.
Note	We reserve the right to make technical changes

6 Mounting

The smoke ventilation panel is fixed to the wall through the $\varnothing 6.5$ mm holes in the back plane of the housing.

The smoke ventilation panel is to be located in a safe place, protected from the effects of fire and smoke.



7 Installation

7.1 Cable routing

For cable routing we recommend the use of fire protected cables retaining their function E90 or E30. See also chapter 8 "Cable dimensioning" in this instruction.

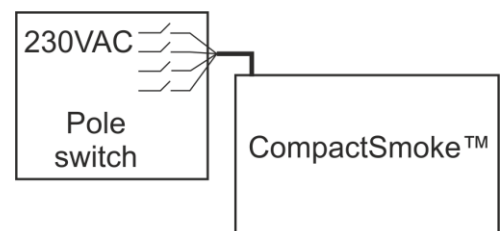
However, this has to be agreed with the Engineer or, if necessary, with the local fire protection department.

Do not reduce the cable cross sections specified in the cable lengths table.

All cables of the control (except the mains supply cable) carry 24V DC and have to be routed separate from the mains supply cable. Adhere to the pertinent national and local regulations when routing the cables.

Lead the connection cables into the housing of the control panel from above and the cable glands shall comply with fire class V-1 (IEC/EN 60695-11-20 / UL 94) or higher and be in accordance with national and local regulations.

Ensure that the mains cable can be switched via an external or customer-supplied two-pole switch element or a switch element controlling all poles – see drawing.



7.2 Cables into housing

All connection terminals (except the mains terminals) are of the plug-in type.

Connect the connection cables in accordance with the terminal plan. Ensure that the connections are made correctly. Incorrect cable clamping, mixing up numbers or colours could lead to malfunctions of the control panel or of the external components.

Ensure that the electrical cables are always routed according to the valid national and local regulations.

7.3 Connection of safety earth wire and 230V AC

See chapter 9 "Description of card and mains connection" for further description.

7.4 Installation of the break glass unit, ventilation keypad and smoke detector

Ensure that the break glass unit and the ventilation buttons are visible and well accessible. Do not install behind protruding walls, door panels or hidden by the building structure.

Note: Installation height of the break glass unit 1.5 – 1.7m above floor.

Install the smoke detectors in accordance with their enclosed instructions

7.5 Assembly instructions

Always have assembly, installation, repair and maintenance of smoke and heat extraction systems carried out by qualified personnel trained for this purpose.

Rules to be adhered to for setting up and installation

The following safety relevant rules must be adhered to when planning the use of a smoke and heat extraction system and its set-up and installation:

- The Provincial Building Ordinance of the provinces,
- The regulations of the competent fire protection authority,

Accident prevention regulations

Adhere to the general accident prevention regulations (APR), the APR for power operated windows and doors, and the installation rules in your country.

CAUTION:

Live components are directly accessible after opening the system housing.

Prior to inserting / removing cards disconnect to the panel from the mains supply and the back-up batteries.

- adhere to the installation instructions and your local energy providers
- select the place of installation such that free access is guaranteed for maintenance purposes
- select cables according to regulations in this instruction - take the calculation of the actuator supply cable lengths into account when laying the cables
- power cables entered via the cable glands
- connect the cables in accordance with the drawings provided by the manufacturer
- route the cables in the building according to the regulations in this instruction
- after the smoke panel is installed the back-up batteries will be fully charged after ca. 8 hours
- check all system functions

Electric cable routing for smoke and heat extraction systems

Electrical cables must be laid in accordance with the national and local rules in your country.

Do not use the PE wire / green/yellow wire!

Cables of type NYM, concealed, can be used.

For surface laying, halogen free safety cables are recommended (see cable plan).

If possible, the use of cable types should be agreed with the Technical Services and the competent fire protection authority.

For the maximum permissible cable lengths of the actuator supply cables for the WSC 104 system, taking the specified cable cross sections into account (cable information for surface laying), please refer to chapter 8 "Cable dimensioning".

8 Cable dimensioning

8.1 Maintaining the cable functions

According to valid national regulations.

The cable network for smoke ventilation systems ("Cable system") ends normally at the interface (junction box) for the actuator! The flexible, heat resistant connection cable of actuator is part of the system component, electric actuator actuation, and is not a part of the electrical installation!

We recommend in all cases to discuss the type of cable routing with the competent firefighting authorities.

8.2 Max. cable Length

Maximum permissible cable length from the smoke ventilation panel to the actuators and pyrotechnic gas generator taking into account the cable cross-section is shown in the following tables for "± 24V standard actuators", "MotorLink® actuators" and pyrotechnic gas generator.

8.2.1 Formula for the calculation of the maximum actuator cable length

Max. cable length = $\frac{\text{permissible voltage drop } 2V \text{ (UL)} \times \text{conductivity of copper (56)} \times \text{cable cross section in mm}^2 \text{ (a)}}{\text{max. actuator current total in amps (I)} \times 2}$

For both ±24V standard actuators and actuators with MotorLink® the cross section of the cable must not be less than 0.75mm² regardless of the result of above formula.

Maximum actuator cable length: Always measured from the smoke to the last junction box

Permissible max. voltage drop in the line: 2 Volt

Actuating current: Sum of all actuator power consumption per motor line

Note: do not use the PE wire / green/yellow wire!

Example

Max actuator cable length with cable cross section 0.75mm² and actuator current 2A: $(2 \times 56 \times 0.75) : (2 \times 2) = 21\text{m}$

8.2.2 Max cable length – ±24V standard actuators

The actuator supply cable must have 3 wires: 2 wires current carrying / 1 wire for monitoring.

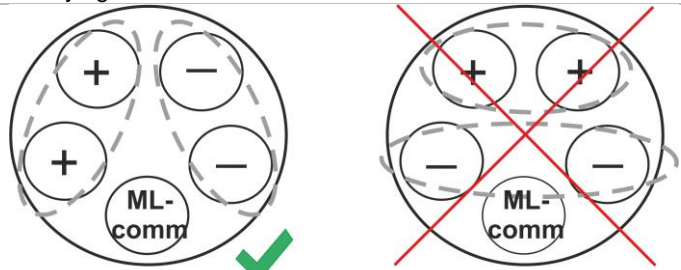
±24V standard Actuators						
Do not use the PE wire / green/yellow wire!						
cable cross section [a]	3-wire 0.75mm²	3-wire 1.50 mm²	5-wire 1.50 mm² 2-wire parallel	3-wire 2.50 mm²	5-wire 2.50 mm² 2-wire parallel	3-wire 4.00 mm²
Total actuator current [I]						
1A	42m	84m	168m	140m	280m	224m
2A	21m	42m	84m	70m	140m	112m
3A	14m	28m	56m	47m	93m	75m
4A	11m	21m	42m	35m	70m	56m

8.2.3 Max cable length – actuators with MotorLink®

The actuator supply cable must have 3 wires: 2 wires current carrying / 1 wire for communication.

When a 5-wire cable is used for MotorLink®

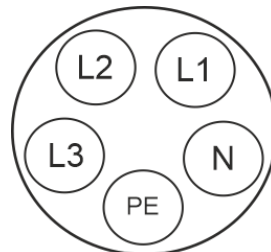
It is not recommended to use parallel wire.



ML-comm = MotorLink® communication

Furthermore, when using a 5-core cable, the distance between "-" and "Com" must be the same as the distance between "+" and "Com".

Meaning if L2 e.g. is being used as "Com" L1 and L3 must be used for "+" and "-".



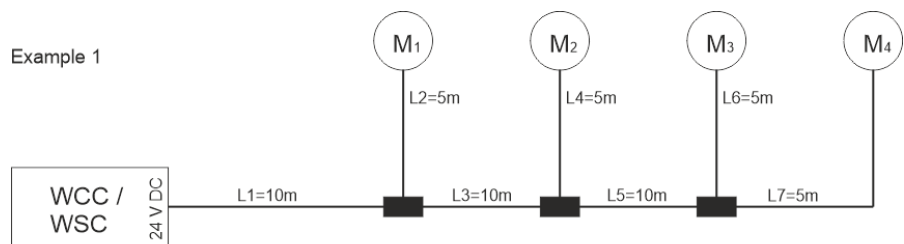
When using actuators with MotorLink® the max/total cable length is 50m regardless of the result of the above mentions formula.

Actuators with MotorLink®						
Do not use the PE wire / green/yellow wire!						
cable cross section [a]	3 wire 0.75mm ²	3 wire 1.50 mm ²	5 wire 1.50 mm ² 2 wire parallel	3 wire 2.50 mm ²	5 wire 2.50 mm ² 2 wire parallel	3 wire 4.00 mm ²
Total actuator current [I]						
1A	42m	50m				
2A	21m	40m	50m			
3A	14m	28m	50m	47m	50m	
4A	11m	21m	42m	35m	50m	

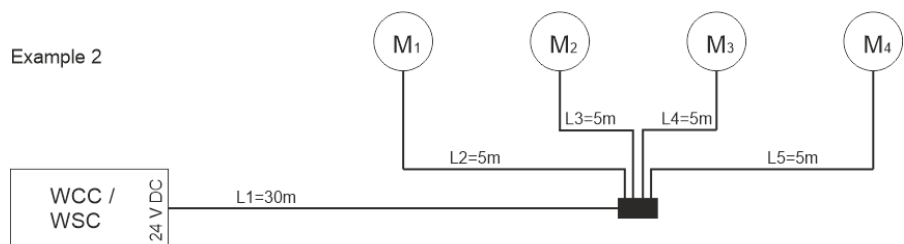
Definition of total cable length

The total cable length is defined as the sum of all cables from the panel output to the last actuator. Including the cable mounted on the actuator.

For example, in case of 4 actuators with 5m cable each, the remaining cable length is 30m.



Total cable length = $L_1 + L_2 + L_3 + L_4 + L_5 + L_6 + L_7 = 10m + 5m + 10m + 5m + 10m + 5m + 5m = 50m$



Total cable length = $L_1 + L_2 + L_3 + L_4 + L_5 = 30m + 5m + 5m + 5m + 5m = 50m$

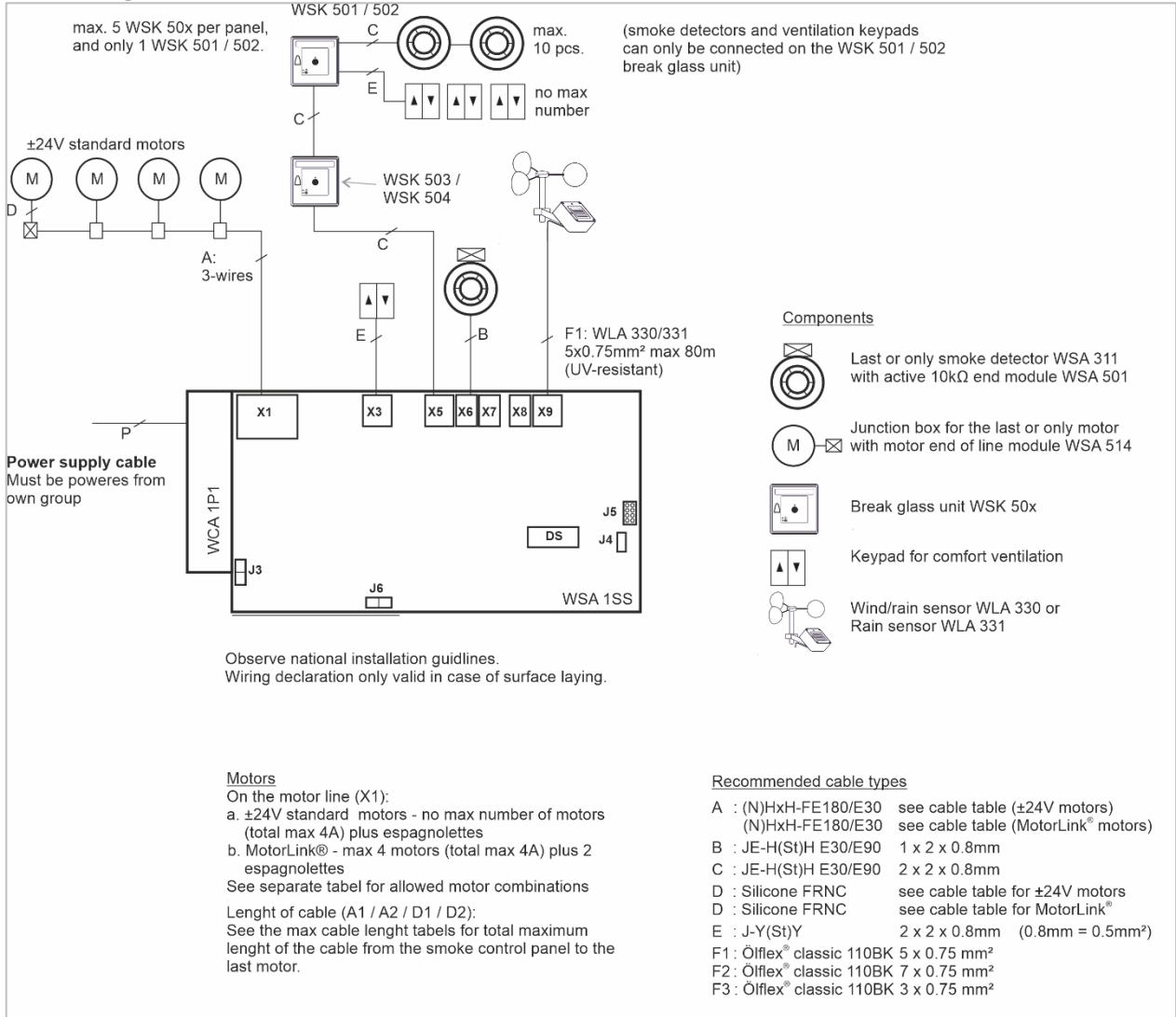
8.2.4 Max cable length – Pyrotechnic gas generator

Pyrotechnic gas generator**						
Do not use the PE wire / green/yellow wire!						
cable cross section [a]	3 wire * 0.75mm ²	3 wire * 1.50 mm ²	5 wire 1.50 mm ² 2 wire parallel	3 wire * 2.50 mm ²	5 wire 2.50 mm ² 2 wire parallel*	3 wire * 4.00 mm ²
Total actuator current [I]						
1A	42m	84m	168m	140m	280m	224m

* flexible stranded cores are only suitable with attached ferrules. Max 1 core / ferrule per terminal.

**WSC 104 has been tested with Chemring type 1.3.

9 Cable plan for connection to WSC 104

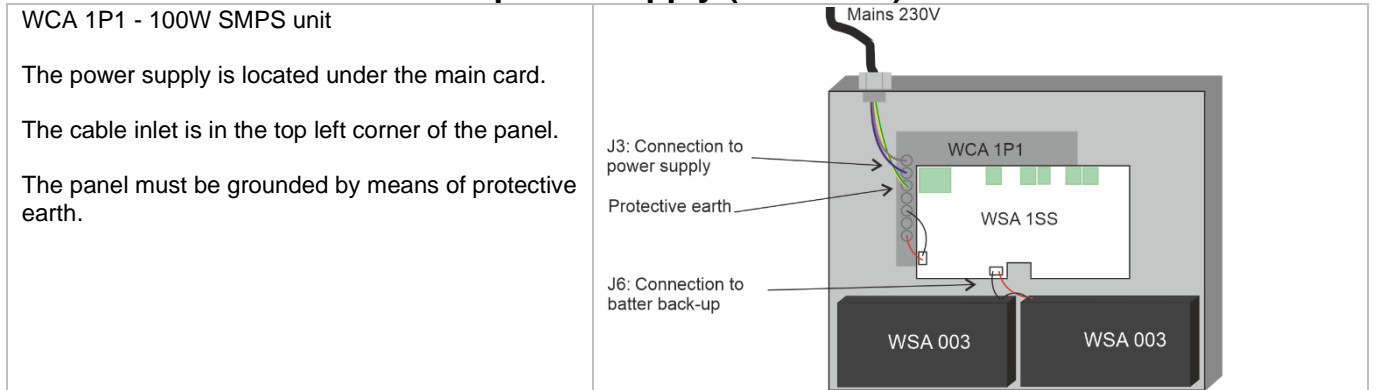


The above plan shows the WSC 104 with ±24V standard actuators connected.

10 Description of card and mains connection

The panel includes a power supply unit (SMPS) and a main card.

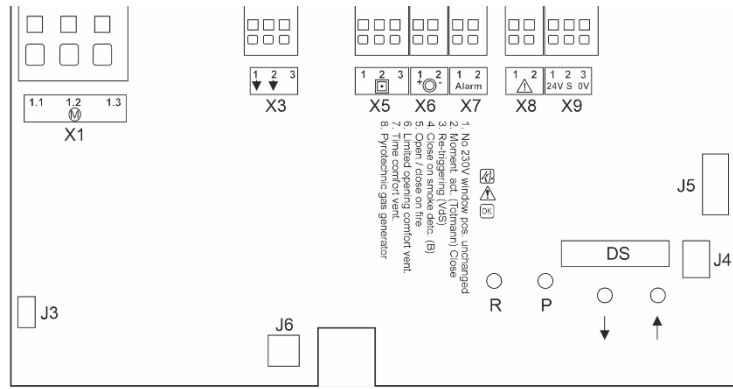
10.1 Mains connection and power supply (WCA 1P1)



10.2 Main card WSA 1SS

The WSA 1SS contains the following:

- 1 motor line for $\pm 24V$ standard or MotorLink[®] actuators
- 1 input for keypads for comfort ventilation
- 1 input for break glass units
- 1 input for smoke detector
- output for alarm signal
- output for fault signal to Fire Alarm System
- Input for rain sensor station (WLA 330 / 331)
- Connection of power supply
- Connection for battery back-up
- Connection for USB device



X1	1.1 24V / 0V 1.2 Cable monitoring / MotorLink 1.3 0V / 24V	} MotorLine	X9	9.1 24V 9.2 Rain 9.3 GND / 0V	} Rain sensor
X3	3.1 Open 1.1 3.2 Close 1.2 3.3 GND / 0V		} Comfort keypad	DS	
X5	5.1 24V 5.2 Comm. 5.3 0V	} Break glass unit WSK 50x	J3	Connection to power supply	
X6	6.1 + 6.2 -	} Smoke detector WSA 311	J4	USB device	
X7	7.1 7.2	} Normally open. Closed = Alarm	J5	No function	
X8	8.1 8.2	} Normally closed. Open = Fault	J6	Battery pack connection	
			↓ ↑	Close and open all windows Auto configuration	
			R / P	Reset / Programming	

X1

The WSA 1SS card has 1 motor lines for connection of $\pm 24V$ standard actuators, MotorLink[®] actuators or pyrotechnic gas generator.

$\pm 24V$ standard actuators

- 1.1 24V / 0V
- 1.2 Cable monitoring
- 1.3 0V / 24V

MotorLink[®] actuator

- 1.1 0V
- 1.2 Communication
- 1.3 24V

Pyrotechnic gas generator

- 1.1 24V / 0V
- 1.2
- 1.3 24V / 0V

The number of actuators on the motor line depends on the actuator type, the total power consumption of actuators connected to the motor line may not exceed 4A.

Besides actuators also locking actuators (espagnolettes actuators) type WMB 801/802, WMB 811/812, WMB 815/816 and WMB 817/818 can be connected. The power consumption of the locking actuators are not to be included in the 4A as actuators and locking actuators do not run at the same time.

All actuators on the motor line will run/be operated simultaneously.

All actuators on the motor line must be of the same type.

Connection / cable diameter: flexible max 6 mm² / solid max 10 mm².

Cable length: see the chapter "Cable dimensioning".

Standard $\pm 24V$ actuators

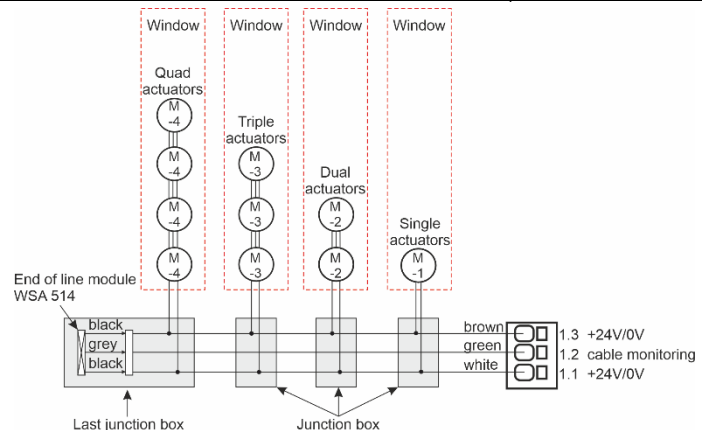
Examples with 4A power consumption

- a) 4 pcs. WMX 826-1
- b) 2 sets of 2 pcs. WMX 826-2
- c) 1 pcs. WMU 884-1

Cable monitoring

When using $\pm 24V$ standard actuators or non-WindowMaster actuators and cable monitoring is wanted an "end of line motor module" type WSA 5xx must be added in the last junction box. Actuators are per default monitored.

Connection of standard actuators on motor line X1 (with cable monitoring)



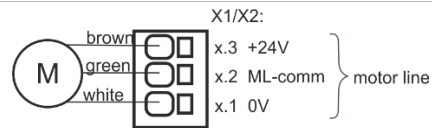
MotorLink® actuators

Examples with actuators per motor line

Ex. 1: 4 pcs. WMX 823-1

Ex. 2: 2 pcs. WMU 882-2

Ex. 3: 3 pcs. WMU 826-3



ML-comm = MotorLink™ communication

Allowed actuator combinations on a MotorLink® motor line

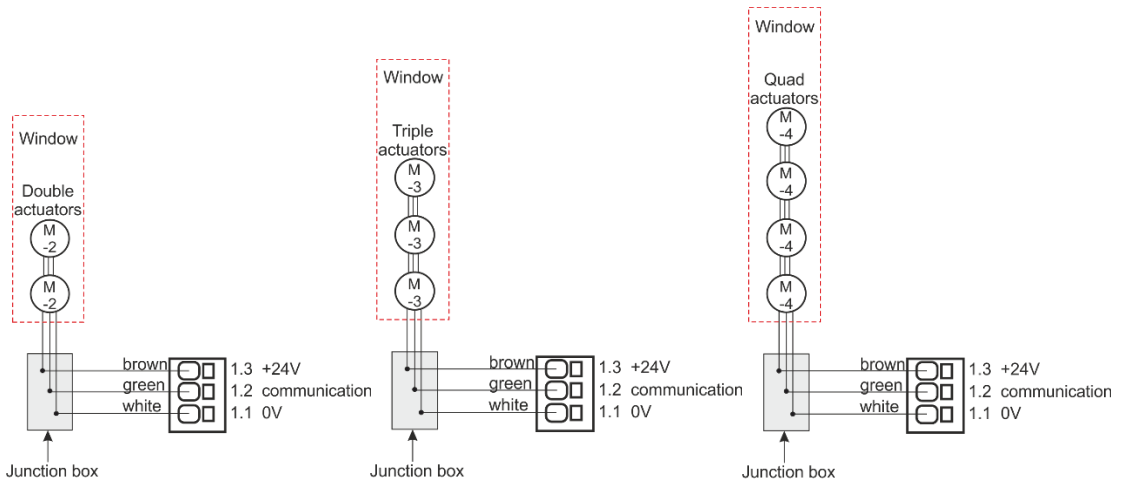
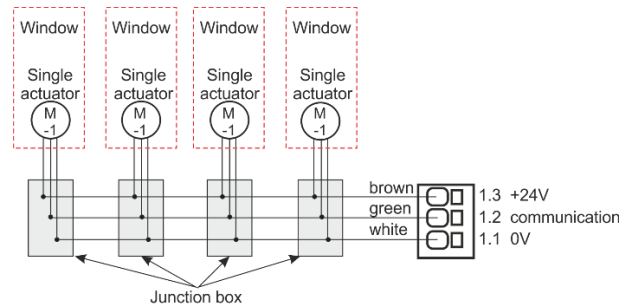
The motor line can be connected to one of the below shown combinations.

-1 (single): one window with one single window actuator. Up to four windows each with one single window actuator can be connected.

-2 (double): one window with two double window actuators.

-3 (triple): one window with three triple window actuators.

-4 (quad): one window with four quad window actuators.



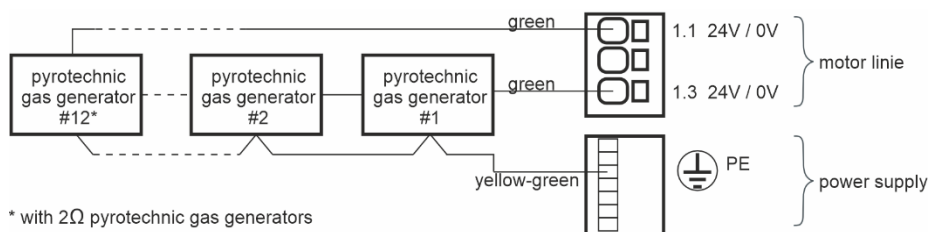
Cable monitoring

When using actuators with MotorLink® the actuators with MotorLink® are monitored by data communication. When the team-size does not match, an error is indicated on the diodes.

Pyrotechnic gas generator

When a pyrotechnic gas generator is connected to the smoke panel, DIP-switch 8 must be set to ON, see "DIP-Switch configuration".

A pyrotechnic gas generator is connected to the smoke panel via the motor line and PE.



* with 2Ω pyrotechnic gas generators

An end of line motor module (WSA 514) is not to be connected when pyrotechnic gas generators are connected. Max 12 pyrotechnic gas generators can be connected to the smoke panel.

IMPORTANT an auto configuration is not to be carried out when pyrotechnic gas generators are connected!

When DIP switch 8 is changed from ON to OFF and no pyrotechnic gas generators are connected, an auto configuration must be performed.

X3

For connection of comfort keypads. X3 is potential free / dry contact.

Data

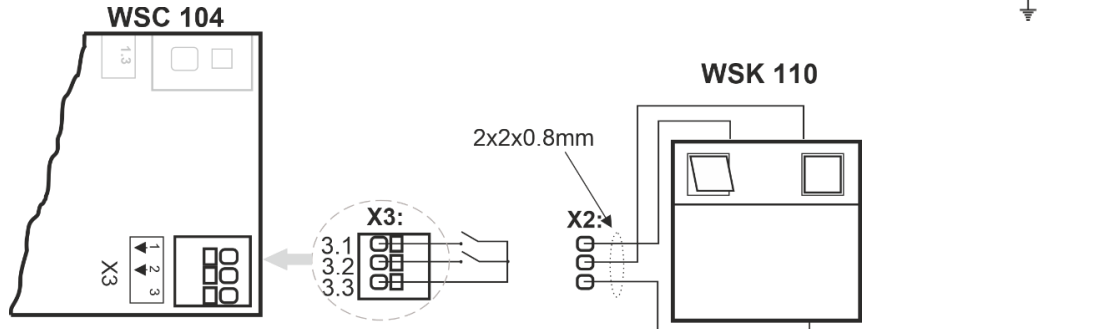
- 3.1 Open
- 3.2 Close
- 3.3 GND / 0V

With the default values are input:

"Active" if the contact resistance is smaller than 2kΩ
"Inactive" if the contact resistance is bigger than 3kΩ.

Input has pull up current of approx. 0.8mA. (min. 0.7mA, max 1mA)

Example: comfort keypad connected to input X3



X5

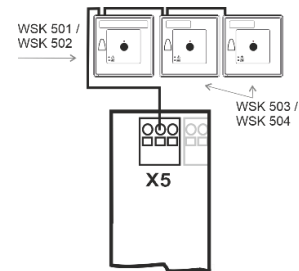
For connection of break glass unit type WSK 50x.

Data

- 5.1 24V
- 5.2 Communication
- 5.3 0V

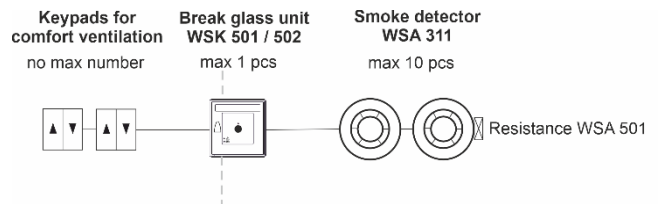
Up to 5 break glass units type WSK 503 or WSK 504 can be connected to the line. If keypad and smoke detector are to be connected to the break glass unit, WSK 501 or WSK 502 are to be used. Max one of these break glass unit on the panel, the remaining units (up to four) must be of type WSK 503 or WSK 504.

Break glass unit must not be connected in a ring bus.



Keypads and smoke detectors can also be connected to a break glass unit type WSK 501 / 502.

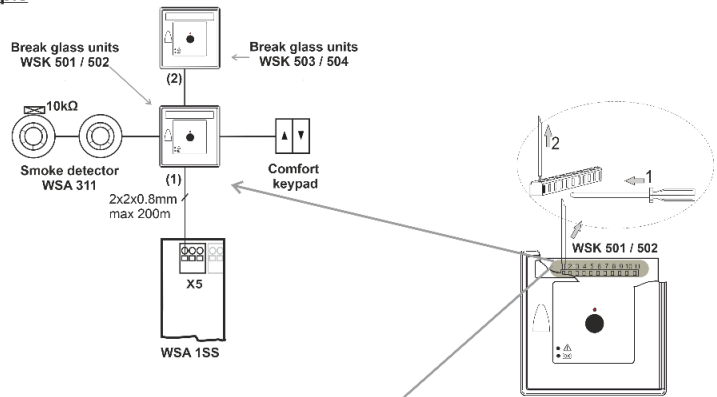
Up to 5 break glass units can be connected to a panel. But only 1 of these 5 can be a type WSK 501 / 502 to which keypads or smoke detectors can be connected. The remaining break glass units must be type WSK 503 / 504.



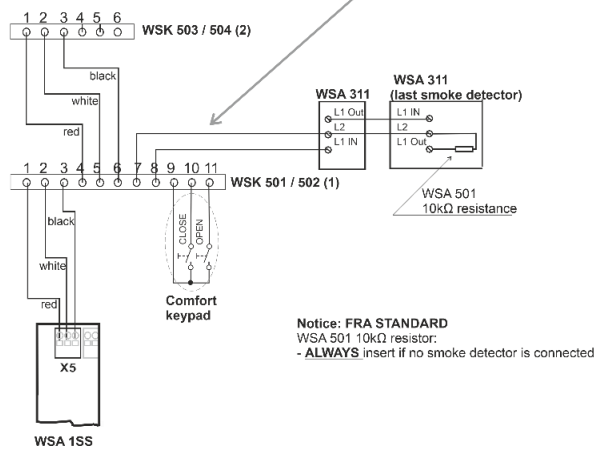
Example:

A smoke zone and connected components: 1 break glass unit type WSK 501 / 502 and 1 break glass unit type WSK 503 / 504, 2 smoke detectors WSA 311, 1 resistor WSA 501 and 1 comfort keypads.

Example



Wiring diagram for example



When there is no smoke detector connected to the WSK 501 / 502 a 10kΩ resistor must be connected to the break glass unit in to pin 7 and 8. When a smoke detector is connected to the break glass unit, the 10kΩ resistor must be connected to the last smoke detector. See chapter 8 "Cable plan for connection to WSC 104" for cable types and lengths.

Connection of different types of smoke detectors to CompactSmoke™

		Smoke detector type		
		WSA 311	Hekatron MSD 523 (max 5 pcs)	Hekatron SSD 521/a (WSA 200 6101)
Connect to WSA 1SS	X6.1	In +	2	2
	X6.2	Com -	1	1
Connect to WSK	p 7	Com -	1	1
	p 8	In +	2	2
ALWAYS connect 10 KOhm in between		Com – and Out +	1 and 3	1 and 3

X6

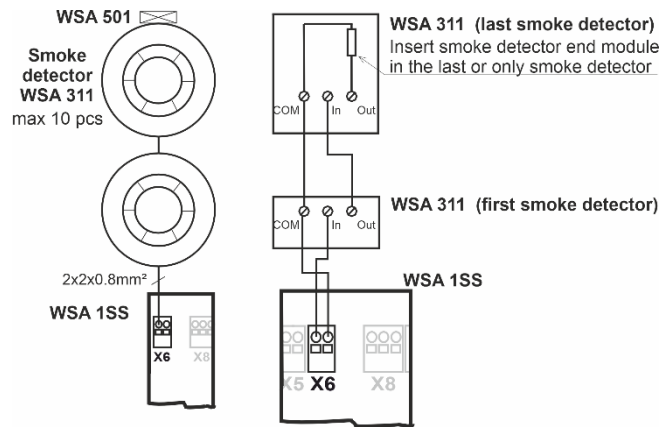
For connection of smoke detector type WSA 311.

Data

6.1 +

6.2 -

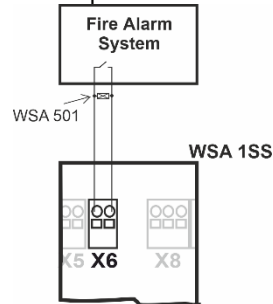
$I_{max} = 3,4\text{mA}$



When no smoke detector is connected to X6, a 10kΩ resistor is connected to the input. The WSC 104 is type tested with 4 x WSA 311.

For connection of a different type of smoke detector, see above.

Connection to Fire Alarm System, connection example



X7

Solid state output for transmission of alarm signal to 3rd party systems, e.g., Fire Alarm System

Data

7.1 } normally open. Closed = alarm

7.2 }

Solid state output for transmission of alarm signal to 3'rd party systems.

This output will be closed, if the Smoke zone is in active emergency open or close status.

Active alarm, means close circuit on the connection pins.

Data

Max voltage: 30 Vp (peak)

Max output: 150 mA

Typical On-resistance (Closed): 4,7 Ω

Max On-resistance (Closed): 8 Ω

Max switching speed: 2 ms

X8

Solid state output for transmission of fault signal to Fire Alarm System

Data

8.1 } Normally closed. Open = Fault

8.2 }

Solid state output for transmission of fault signal to Fire Alarm System.

A fault must last min 20 seconds before the relay indicate a fault.

Data

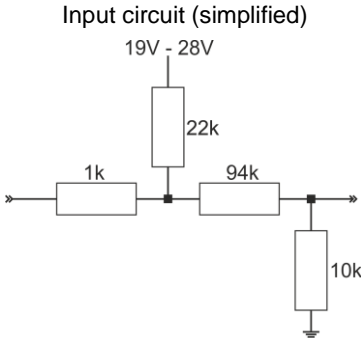
Max voltage: 30 Vp (peak)

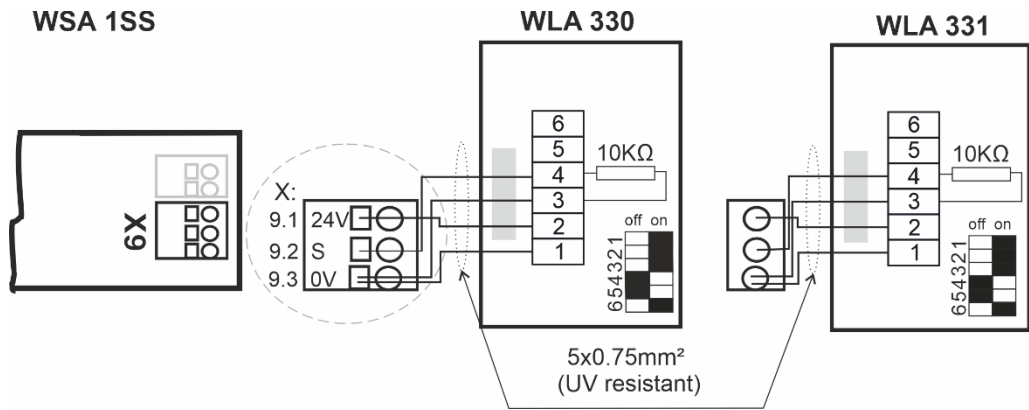
Max output: 150 mA

Typical On-resistance: 4,7 Ω

Max On-resistance: 8 Ω

Max switching speed: 2 ms

<p>X9</p>	<p>For connection of rain sensor.</p> <p>Connection of wind / rain sensors type WLA 330 or rain sensor WLA 331.</p> <p><u>Data</u></p> <p>9.1 24V</p> <p>9.2 Rain (potential free / dry contact) (10kΩ resistor is to be moved to the Rain sensor)</p> <p>9.3 GND / 0V</p> <p>With the default values are input: "Active" if the contact resistance is smaller than 4kΩ "Inactive" if the contact resistance is bigger than 8kΩ. For values between 4 and 8kΩ the result will depend on the supply voltage. Input has pull up 18pprox.. 1mA. (min. 0.7mA, max 1.4mA)</p> <p>Example: Wind/rain and rain sensors WLA 330 and WLA 331– the settings of the sensors are set on the sensor.</p>	<p>Input circuit (simplified)</p> 
<p>J3</p>	<p>Connection for power supply</p>	
<p>J4</p>	<p>USB device. Used for remote control and update of firmware</p>	
<p>J5</p>	<p>No function</p>	
<p>J6</p>	<p>Connection for battery (power back-up)</p>	
<p>R / P</p>	<p>Reset / Programming (used for firmware updates)</p>	
<p>DS</p>	<p>DIP switch blocks with 8 DIP switches</p> <ul style="list-style-type: none"> 1 – No 230V window position unchanged 2 – Momentary action open / close 3 – Re-triggering by alarm (VdS) 4 – Close on Smoke detector 5 – Open / close on fire 6 – Limited opening comfort ventilation 7 – Time comfort ventilation 8 – Pyrotechnic gas generator <p>See section 11 for further detail</p>	
<p>LED</p>	<p>Shows the status of the panel</p> <p>Red = alarm</p> <p>Yellow = fault</p> <p>Green fast flickering = all OK (CPU working), Green constant = CPU communication stopped (possible reset or contact WindowMaster)</p>	
<p>↓ ↑</p>	<p>Close / open all windows. When pressed together right after power has been connected the panel configures / registers connected components.</p>	



11 DIP switch configuration

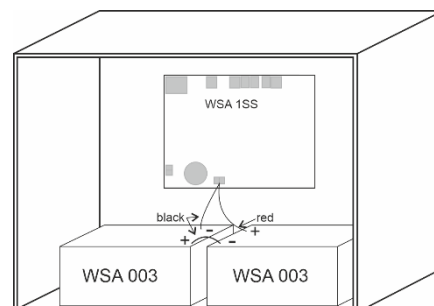
For easy configuration the smoke panel includes 8 DIP switches. The factory settings for all the DIP switches is OFF.

DIP switch	Description on the panel	Description	DIP switch position	Possible consequence
1	No 230V window pos. unchanged	No 230V window position unchanged	ON: No change in position in case of power failure OFF: The windows close in case of power failure.	This function becomes suspended when DIP switch 2 is ON.
2	Moment. act. Open / Close	Momentary action OPEN / CLOSE (Comfort ventilation)	ON: The window actuators run for as long as the comfort keypad is pressed. Applies only to comfort keypads connected to X3. OFF: The windows close / open completely when pressing the comfort keypad once.	
3	Re-triggering (VdS)	VdS triggering by alarm	ON: When the alarm is triggered the actuators will, in accordance with VdS 2581, for a duration of 30min be triggered to shortly reverse and open every second minute. OFF: Normal alarm	
4	Close on smoke detc. (B)	Smoke detector – CLOSE (Primarily used in Switzerland)	ON: When the alarm is triggered by a smoke detector, the windows will close in all smoke zones. A following operation of a break glass unit will leave the system in alarm but trigger the actuators to open the windows. Break glass units have higher priority than smoke detectors. OFF: Regardless of if the alarm is triggered by smoke detectors or break glass units, the window actuators will open the windows	
5	Open / Close on fire	The windows open or close in case of fire	ON: The windows close in case of fire OFF: The windows open in case of fire	
6	Limited opening comfort. vent	Window opening is limited (Only by comfort ventilation)	ON: The window opening is limited to 30% during comfort ventilation OFF: The windows will open 100% during comfort ventilation	
7	Time comfort vent.	Window opening is time limited (Only by comfort ventilation)	ON: The windows will close after 30min during comfort ventilation OFF: The windows will close when triggered by safety signal or close command	
8	Pyrotechnic gas generator	Pyrotechnic gas generator is connected	ON: A pyrotechnic gas generator is connected OFF: Window actuators are connected When DIP switch 8 is changed from ON to OFF the panel must be re-configured, see section 13 “Configuring of panel”.	

12 Back-up batteries

Connect 2 pcs. back-up batteries type WSA 003

See section 17 “Maintenance” for further information.



Panel with back-up batteries.

13 Configuration of panel

The smoke panel is configured by pressing the two keys "↑" and "↓" on the main card, at the same time for 5-10 seconds. The smoke panel must be configured

- After re-installation, changes, or change of actuators
- When / if MotorLink® actuators are connected
- If the cables have been moved
- When components are removed from the panel
- If there has been a fault on the WSK-Link™. Error blink sequence 6, see section 14.1.
- When DIP switch 8 is changed from ON to OFF

Note, during reconfiguration the actuator output can be activated in both directions.

If the yellow diode on the main card blinks after a configuration, an error has occurred in the configuration, see section 14 "Fault detection via LED" for identification of errors.

13.1.1 Motor line

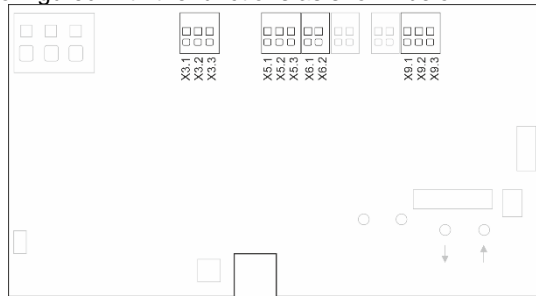
Actuators are to be connected on the motor line. ±24V standard actuators or actuators with MotorLink® can be connected to the motor line, the motor line can only be connected to one type of actuators – either ±24V standard or MotorLink® actuators. The panel will automatically detect the type of actuator, which is connected to the panel.

13.1.2 Smoke zone

Depending on the settings on the DIP-switches the actuators will either open or close when the smoke panel is triggered, see section 11.

13.1.3 Local input

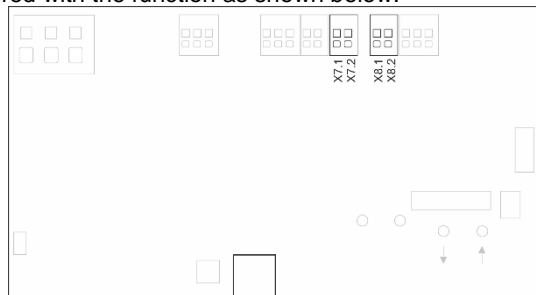
The four inputs on the panel are pre-configured with the functions as shown below.



- X3 Comfort keypads
- X5 Break glass unit
- X6 Smoke detector
- X9 Rain sensor

13.1.4 Local output

The output on the panel is pre-configured with the function as shown below.



- X7 Alarm signal
- X8 Fault signal to fire alarm system

14 Fault detection via LED

14.1 Fault detection on the smoke panel

In case of error on the panel, the yellow diode on the main card will blink and via blink sequence indicate an error message. Depending on the type of error, the message will consist of 2 or 3 blink sequences, separated by a seconds pause. The first blink in an error message has a duration of one second, and thereby indicating when the error message (1st blink sequence) begins. The remaining blinks of the error message has a duration of 0.5 seconds. The error message is repeated until the error has been rectified. Between 2 error messages there is a pause of 2 sec.

Example of an error message

"7 blinks – 1sec. pause – 2 blinks – 1 sec. pause – 1 blinks".

1. There is an error on a local input.
2. The error is on input X9.1, to which a rain sensor might be connected.
3. The error is due to no connection to the sensor.

If there are more errors on the panel simultaneously, they are shown with priority, i.e., the error message for the most critical error is shown first and repeated until rectified. Then the error message number 2 is shown and repeated as well until the error is rectified etc.

Below table, list the most common errors.

Error message					
1. Blink sequence		2. Blink sequence		3. Blink sequence	
Number of blinks	Error on	Number of blinks	Error on or error type	Number of blinks	Error type
1	System	1	Internal error (Watchdog reset)		
		2	Internal error (Program CRC)		
3	Smoke zone	1	Max temp. in the panel has been exceeded – re-configure and check the panel, see section 13 for re-configuration of the smoke panel		
5	Actuator	1	X1 (actuator output)	1	Actuator configuration – check the actuators, check the configuration, when using ±24V standard actuators check the termination
				2	Expected number of actuators, the found and expected number of MotorLink® actuators does not match – check actuator connections
				4	Internal error
6	WSK-Link™	1	Bus	1	Closed ring – the standard version does not allow break glass units connected in a closed ring, check connection of break glass units and disconnect the ring and re-configure
				2	Problem on X5 (break glass unit) – communication with the break glass unit cannot be established
		2	WSK	1	Problem (short circuit, cable problem or termination) with break glass unit #2 connected to a break glass unit– check connection of break glass unit and termination smoke detector input
				3	Offline break glass unit, one or more break glass unit is offline – check and re-configure
				4	Break glass unit sensor (smoke detector connected to break glass unit) – check connection between break glass unit, sensor and end-module (termination)
				5	The break glass unit version is too old – break glass units must be renewed
7	Local input	1	X6 (smoke detector)	1	Termination – check connection of detectors as well as termination
		2	X9 (rain sensor)	1	Termination – check connection of sensor as well as termination
10	Power supply	1	Internal error		
		2	Mains – check connection		
		3	Back-up batteries – check connection or replace the batteries		
		4	Max temp. in the panel has been exceeded – re-configure and check the panel, see section 13 for re-configuration of the smoke panel		
		5	Internal error		

If other errors or an "Internal error" are indicated, please contact WindowMaster.

14.2 Fault indication on break glass unit

If the smoke panel loses the mains connection (230V), the green LED on the break glass unit (WSK 501 / 502 / 503 / 504) will flash. The green LED will flash until the system goes into alarm (check power supply (error message 10.2)). With the standard settings it can take up to 10min before the loss of connection is registered.

15 Hardware error

If there are any hardware error on the panel it will be indicated by the diodes (yellow diode is lit).

15.1 Error on the Power supply

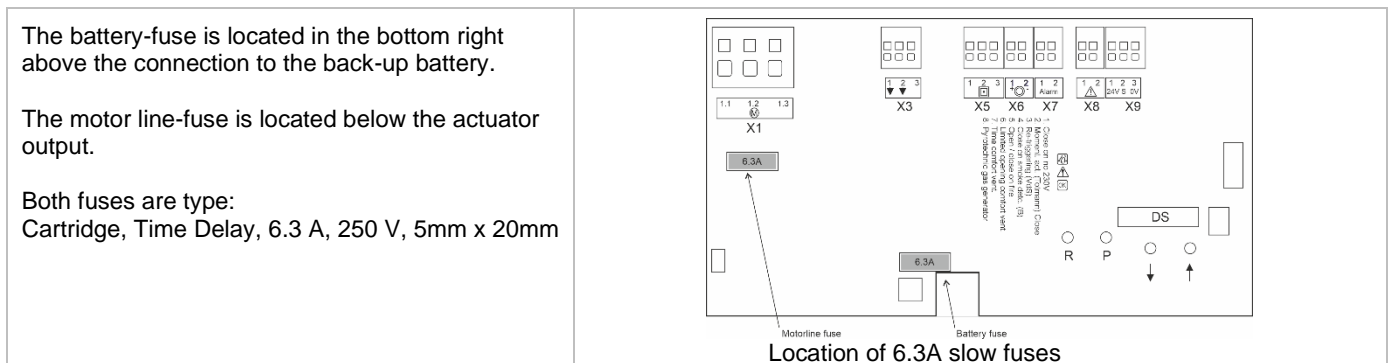
Mains power failure will trigger an error. Within the first minute after the failure has been detected, the green LED in the break glass unit will start to blink. After 30 minutes (parameter setting), the error is indicated via LED blink sequence, see "Fault detection on the smoke panel", and the windows will close.

Furthermore, non-connected, wrong connected or "dead" batteries can trigger an error on the "Power supply".

15.1.1 Blown fuses – 6.3A slow

An error on the "Battery status" can also be triggered if the battery-fuse (6.3A slow) is blown.

Additionally, an error on the motor line status can be triggered if the motor line-fuse (6.3A slow) is blown.



16 Commissioning and test run

In case of hardware error please see section 15 "Hardware error". To configure the smoke panel press „↑“ and „↓“ (on the main card) at the same time for 5-10 seconds, see section 13.

The break glass unit WSK 50x will only give an acoustic fault signal if the door on the break glass unit is closed or if the door contact on the break glass unit is pressed.

We recommend that the software of the panel is updated during the annual maintenance check!

We recommend that the commissioning of the smoke panel should be done by a competent smoke ventilation controls installer.

16.1 The control ventilation panel is completely installed, without the operating voltage applied

- Check all mechanical and electrical components for damage.
- Check all screw and plug connections for tightness and/or firm seating
- Check that all external components are installed:
 - ±24V actuators: Is the motor end module inserted in the last or only actuator?
 - Automatic smoke detectors: Is the passive end module inserted in the last or only smoke detector?

16.2 With mains voltage, without accumulator

Adhere to the relevant regulations!

Connect the mains cables and reapply the mains voltage.

16.3 With mains voltage, with accumulator

- Remove the protection film from one face of the supplied foam rubber. Glue each foam rubber to the bottom side of the accumulators. Connect the accumulators to the black accumulator bridge according to the wiring diagram, then connect the red and the black connection cable to the red and the black flat plug. Remove the bottom protection film of the foam rubber and insert the batteries in the smoke ventilation panel according to section 12, and firmly press down to the housing bottom!
- Plug the red connection cable to the + and the black connection to the flat plug of the control panel.
Note: Check correct polarity!

16.4 Ventilation keypad

Closely observe the actuators during opening and closing. They must not be impaired in any position by the building structure. Observe that the actuator cables are not being subject to pulling or pinching. Check each ventilation keypad individually.

16.5 Break glass unit WSK 50x

- Open the door and press the black Open button. The actuators move open through to the end position. The red alarm LED (also in the control panel) is ON; at the same time a permanent acoustic signal sounds (door contact on the break glass unit is pressed!).
- Press the Reset/Closed button in the break glass unit. The actuators close through to the end position. The comfort ventilation function is released again. The red alarm LED (also in the smoke ventilation panel) and the acoustic smoke alarm are turned off.

16.6 Smoke detectors

- Spray test aerosol on the smoke detectors (aerosol item no. 9549).
- The actuators move open through to the end position. The red LED in the smoke detector, the red alarm LED (also in the smoke ventilation panel) and the permanent acoustic signal in the break glass unit are ON.
- Press the Reset/Closed button in the break glass unit - the actuators close through to the end position. The comfort ventilation function is released again. The red alarm LED in the break glass unit and in the smoke control panel as well as the acoustic smoke alarm are turned off.

16.7 Emergency power supply test

- Remove the mains fuse from the smoke ventilation panel. Wait 10 minutes (or run the actuators shortly). See also national guidelines.
- When a mains error has occurred the green LED in the break glass units will flash for 10 minutes. The green LED on the WCA 1SS card in the smoke ventilation panel is still on and the yellow LED is turned off.
- After 10 minutes the green LEDs will turn off and all the yellow LEDs in the smoke ventilation panel and the break glass units will be lit continuously.
- Check that the comfort ventilation keypads are deactivated.
- Check that the break glass units are working (section 16.5)
- Refit the mains fuse.
- The green mains and operating LEDs are on, the yellow LED is off, the malfunction message at the break glass unit is off.

16.8 Wind/rain detector

- Open the actuators with the comfort ventilation keypads.
- Wet the rain sensor, the actuators will fully close.
- While the actuators are running, press the Open button at the keypad. The actuators must neither open nor stop!
- Any smoke and heat extraction signal will always take priority over the wind/rain signal.
- While the rain sensor is active (wet) the smoke ventilation panel is activated (alarm) and the actuators move open through to the end position (alternatively to the SHE position)

If the start-up was successful, close the doors of the break glass units and of the smoke ventilation panel.

If the start-up was unsuccessful (error with one of the test run processes), please see chapter 9 "Description of card and mains connection".

If necessary, check the wiring in accordance with the cable plan – see chapter 8 "Cable plan for connection to WSC 104".

17 Maintenance

The panels of the smoke and heat exhaust ventilation system must be checked, serviced and, if necessary, repaired at least once per year by the manufacturer or an authorized partner

Remove all soiling from the units of the smoke and heat exhaust system. Check fastening and clamping screws for firm seating. Carry out a test run of the entire system (see chapter 15 'Commissioning and test run). Only have defective units repaired in our factory. Only install original spare parts.

Check the operational condition at regular intervals. We recommend a WindowMaster service contract is taken out to ensure the right function of the smoke and heat exhaust system.

All back up batteries coming with the smoke control panel as standard; must be subjected to regular checks.

The smoke ventilation panel will signal fault on the batteries if the battery voltage is below 17V.

Within the framework of the service, they have to be replaced after the specified **maximum 4-year** operating period.

Dispose of used batteries according to the National regulation.

CAUTION: RISK OF EXPLOSION IF BATTERIES ARE REPLACED BY AN INCORRECT TYPE.

We recommend that the software of the panel is updated during the annual maintenance check!

The expected minimum lifetime for the CompactSmoke™ is 10 years excluding the batteries.

CAUTION: Disconnect Pyrotechnic gas generator cables prior to doing any maintenance work to prevent activation by mistake. Remember to connect the device again when maintenance is concluded.

17.1 Maintenance agreements

Be aware that regular inspection of smoke ventilation systems is a legal requirement. The legislation requires that the smoke ventilation system's owner inspects and tests the system once every year.

WindowMaster offer maintenance agreements for the smoke ventilation system and every year we inspect the complete system to ensure it complies with the applicable legislation. Maintenance of the smoke ventilation system includes checking windows, window actuators and emergency power and checking that triggering and control functions are fully functional.

Contact our service department for further information:

UK: +44 1536 614 071 or service.uk@windowmaster.com
IE: +353 (0) 1903 9455 or service.ie@windowmaster.com
Other: +45 4567 0300 or info.dk@windowmaster.com

17.2 Replacement 1SS card

1. Disconnect the 230 V and the batteries.
2. Insert the 1SS replacement card.
3. Turn on the 230 V and connect the batteries.
4. Configure the panel again, see chapter 13 – Configuration of panel.
5. The system will be ready again after approx. 2 seconds.

18 Declaration of Conformity and Declaration of Performance

The smoke ventilation panels are manufactured and tested accordingly to the European requirements.

The total system is not to be put into service until a declaration of conformity for the total system has been made.

The "Declaration of Conformity" and the EN certificate are supplied with panel as separate documents.

Appendix A - WSC 104 S 0101 – DIP Switch setting log

To keep the smoke panel in compliance with ISO 21927-9, changing the DIP switch setting must be logged.
Below table can be used to log the changes.

		DIP switch # 1	DIP switch #2	DIP switch #3	DIP switch #4	DIP switch #5	DIP switch #6	DIP switch #7	DIP switch #8
		No 230V window pos. unchanged	Moment. act. Open / Close	Re-triggering (VdS)	Close on smoke detc. (B)	Open / Close on fire	Limited opening comfort. vent	Time comfort vent.	Pyrotechnic gas generator
Factory setting		ON / OFF	ON / OFF	ON / OFF	ON / OFF	ON / OFF	ON / OFF	ON / OFF	ON / OFF
Date:	Changed By:								
		ON / OFF	ON / OFF	ON / OFF	ON / OFF	ON / OFF	ON / OFF	ON / OFF	ON / OFF
		ON / OFF	ON / OFF	ON / OFF	ON / OFF	ON / OFF	ON / OFF	ON / OFF	ON / OFF
		ON / OFF	ON / OFF	ON / OFF	ON / OFF	ON / OFF	ON / OFF	ON / OFF	ON / OFF
		ON / OFF	ON / OFF	ON / OFF	ON / OFF	ON / OFF	ON / OFF	ON / OFF	ON / OFF
		ON / OFF	ON / OFF	ON / OFF	ON / OFF	ON / OFF	ON / OFF	ON / OFF	ON / OFF
		ON / OFF	ON / OFF	ON / OFF	ON / OFF	ON / OFF	ON / OFF	ON / OFF	ON / OFF
		ON / OFF	ON / OFF	ON / OFF	ON / OFF	ON / OFF	ON / OFF	ON / OFF	ON / OFF
		ON / OFF	ON / OFF	ON / OFF	ON / OFF	ON / OFF	ON / OFF	ON / OFF	ON / OFF
		ON / OFF	ON / OFF	ON / OFF	ON / OFF	ON / OFF	ON / OFF	ON / OFF	ON / OFF
		ON / OFF	ON / OFF	ON / OFF	ON / OFF	ON / OFF	ON / OFF	ON / OFF	ON / OFF
		ON / OFF	ON / OFF	ON / OFF	ON / OFF	ON / OFF	ON / OFF	ON / OFF	ON / OFF
		ON / OFF	ON / OFF	ON / OFF	ON / OFF	ON / OFF	ON / OFF	ON / OFF	ON / OFF
		ON / OFF	ON / OFF	ON / OFF	ON / OFF	ON / OFF	ON / OFF	ON / OFF	ON / OFF