

ACK4

CHAIN ACTUATOR

OPENING STROKE SIZES

100 - 150 - 200 - 250 - 300 - 350 - 400 mm (adjustable)

PUSH FORCE

300 N

VOLTAGE

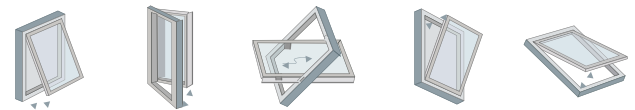
230V AC - 24V DC



DESCRIPTION

Electric actuator model ACK4 with a double link articulated stainless steel chain, enclosed in a special diecast aluminum casing, painted with epoxy powders, with different mounting accessories for top and bottom hung windows. Available in 230V or 24V DC versions. Max. traction and thrust force 300N. End of stroke adjustable at 100, 150, 200, 205, 300, 350, 400 mm by an external dial located on both sides of the actuator. Electronic device with acoustic warning to signal incorrect installation (buzzer). Upon request, a preset "S" version for the synchronised operation of more actuators on the same window is available. High protection IP 55 rated. CE marked device.

WINDOW TYPES



APPLICATION



COLOURS

- Black RAL 9005
- Silver RAL 9006
- White RAL 9010
- ⊗ Custom RAL colour

TECHNICAL DATA

	230V AC	24V DC
Voltage	230V AC	24V DC (+/- 10%)
Push Force	300 N	300 N
Pull Force	300 N	300 N
Opening Stroke	100-150-200-250-300-350-400 mm (adjustable)	100-150-200-250-300-350-400 mm (adjustable)
Opening Speed	27 mm/s	17 mm/s
Current Consumption	0.32 A	1.35 A
Operating Conditions	-5°C - +50°C	-5°C - +50°C
Switch-on Duration	S2 2 min	S2 3 min
Colour	White RAL 9010, Black RAL 9005, Silver RAL 9006 or custom RAL colour	White RAL 9010, Black RAL 9005, Silver RAL 9006 or custom RAL colour
IP Rating	IP 55	IP 55
Life Span	10,000 opening and closing movements	10,000 opening and closing movements
Delivery Includes	1 x Actuator & 1 x Vent Bracket (ACK4VENT)	1 x Actuator & 1 x Vent Bracket (ACK4VENT)
Flex Length	1.5 m	1.5 m
Cable Dimensions	3-Core	2-Core
Min. window width	> 300 mm (ACK4SB Bracket), 310 mm (ACK4LPB Bracket) or 335 mm (ACK4SPB Bracket)	> 300 mm (ACK4SB Bracket), 310 mm (ACK4LPB Bracket) or 335 mm (ACK4SPB Bracket)
Max. window width	< 1300 mm (use multiple actuators if wider)	< 1300 mm (use multiple actuators if wider)
Synchronisation	No	No

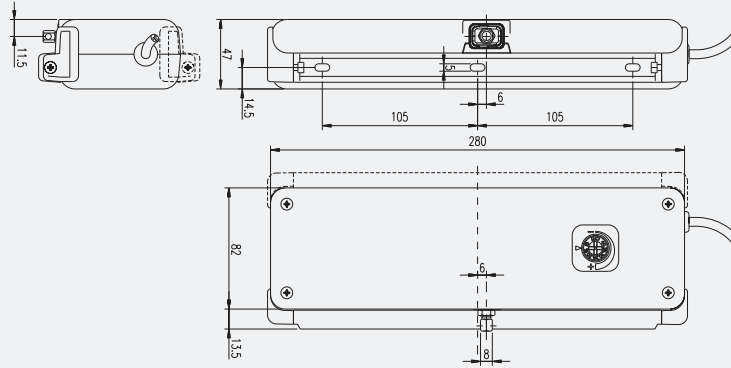
ACCESSORIES

ACK4BHB	- Inward Opening Bracket Black
ACK4CBB	- Cill Bracket Black
ACK4CBG	- Cill Bracket Silver
ACK4CBW	- Cill Bracket White
ACK4LPBB	- Large Pivot Bracket Black
ACK4LPBG	- Large Pivot Bracket Silver
ACK4LPBW	- Large Pivot Bracket White
ACK4PINSMALL	- Extension Pin 10-20 mm
ACK4PINMEDIUM	- Extension Pin 20-30 mm
ACK4PINLARGE	- Extension Pin 30-40 mm
ACK4SBB	- Standard Bracket Black
ACK4SBG	- Standard Bracket Silver
ACK4SBW	- Standard Bracket White
ACK4SPBB	- Small Pivot Bracket Black
ACK4SPBG	- Small Pivot Bracket Silver
ACK4SPBW	- Small Pivot Bracket White

PART CODES

ACK4230UNIB	- ACK4 Actuator 230 V 400 mm Black
ACK4230UNIG	- ACK4 Actuator 230 V 400 mm Silver
ACK4230UNIW	- ACK4 Actuator 230 V 400 mm White
ACK424UNIB	- ACK4 Actuator 24 V 400 mm Black
ACK424UNIG	- ACK4 Actuator 24 V 400 mm Silver
ACK424UNIW	- ACK4 Actuator 24 V 400 mm White

DIMENSIONS



CONTROLS

230V AC



S50-1
Rocker Switch



RCU1-KIT
Control Unit (Radio)



EVC
Control Unit & Weather Station



RRTKEY
Key Switch

24V DC (+/- 10%)



PSU - 2/4/8
24V DC Transformer



PSU - 2/4/8RC
24V DC Transformer (Radio)



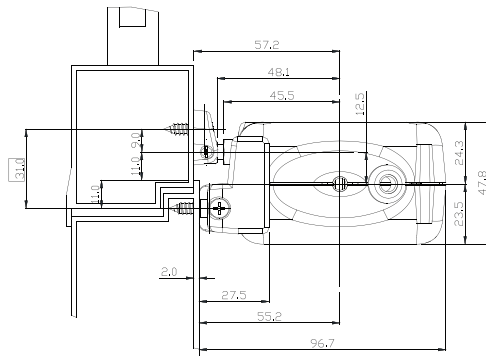
WUC 102
Control Unit



WCC 310
Control Unit

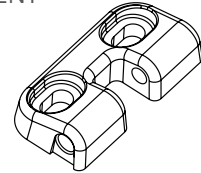
**INSTALLATION
EXAMPLES**

Top Hung (Aluminium)



*Supplied complete with actuator

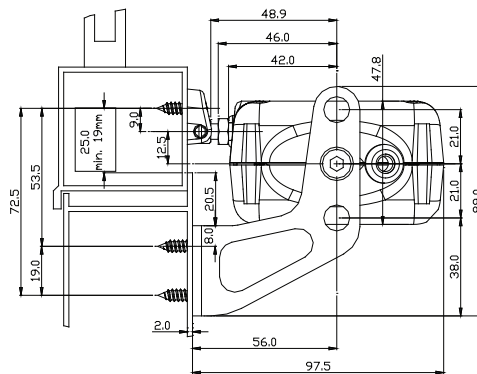
ACK4VENT*



ACK4SB

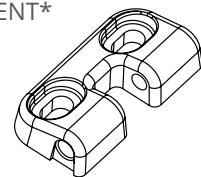


Top Hung (uPVC)

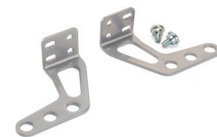


*Supplied complete with actuator

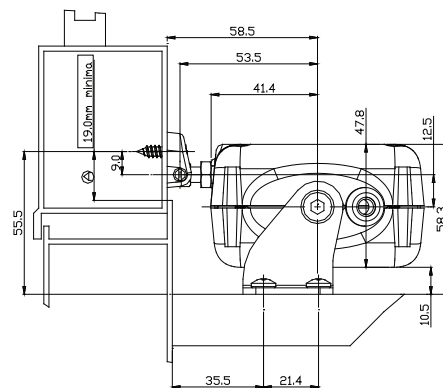
ACK4VENT*



ACKLPB

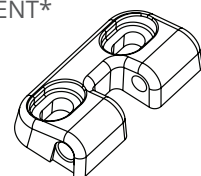


Top Hung (Timber)



*Supplied complete with actuator

ACK4VENT*

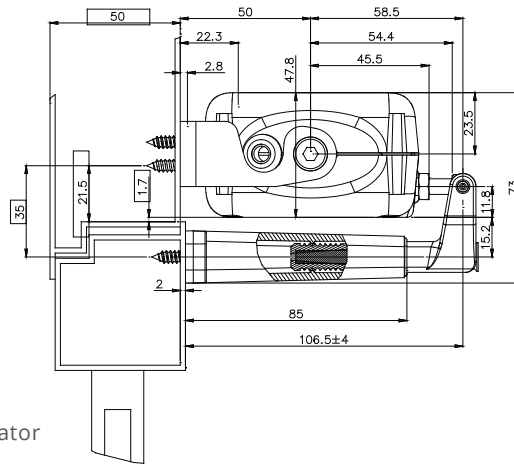


ACK4SPB



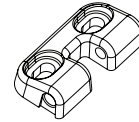
**INSTALLATION
EXAMPLES**

Top Hung (Aluminium)

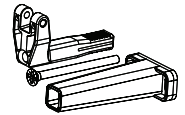


*Supplied complete with actuator

ACK4VENT*



ACK4BHB



ACK4SB

