

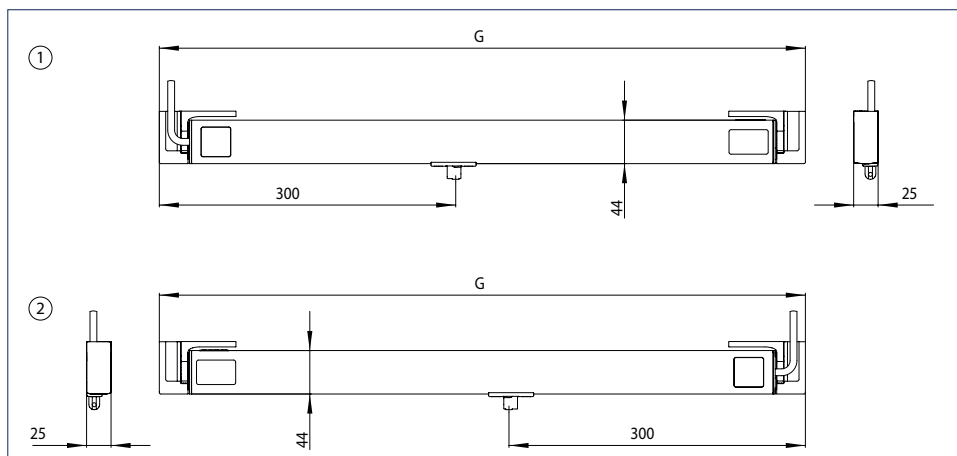
GEZE chain drive Slimchain

Universal chain drive with attractive design

The GEZE Slimchain is for universal use, since it offers a wide range of parameter setting possibilities e.g. stroke and speed. This chain drive can be integrated perfectly into the façade design thanks to its slim and discreet look. The drive stroke (stroke variants 300, 500, 800 mm) is with variable adjustment. Individual speeds can be set for ventilation and RWA mode. The integrated Syncro module allows up to 3 drives to be used even on large and heavy windows without an external control unit being necessary. The drive is equipped with a DIP switch for changing between the modes of operation (Solo/Syncro, Master/Slave). Installation can be carried out quickly and easily using the GEZE Smart fix installation system.



GEZE Slimchain



- G = Length
- 1 = GEZE Slimchain L
- 2 = GEZE Slimchain R

Area of application

- Flexible application in the façade area with maximum design requirements
- Bottom-hung, side-hung and top-hung windows
- Inward-opening and outward-opening casements
- Natural ventilation, smoke and heat extraction system (RWA), smoke and heat exhaust ventilator (SHEV)
- Can be used in the exhaust air and fresh air system
- Synchronisation of up to 3 drives
- Can be used on timber, plastic and aluminium profile systems
- Leaf, frame or integrated installation
- A system solution in combination with the locking drive Power lock

TECHNICAL DATA

Product features		GEZE Slimchain
General information		
Length	Stroke 300: 560 mm, stroke 500: 660 mm, stroke 800: 810 mm (each with consoles)	
Height	25 mm	
Depth	44 mm	
Space requirement on frame (min.)	Frame installation inward-opening: 40 mm, leaf installation inward-opening: 16/21 mm, frame installation outward-opening: 31 mm	
Space requirement on leaf (min.)	Frame installation inward-opening: 40 mm, leaf installation inward-opening: 34/29 mm, frame installation outward-opening: 19 mm	
Specification		
Possible stroke lengths	300 mm, 500 mm, 800 mm	
Factory presetting	Ventilation stroke 300 mm (slow speed), Alarm stroke full opening width (fast speed)	
Opening speed RWA	15 mm/s	
Opening speed ventilation	5 mm/s	
Closing speed	5 mm/s	
Tensile force (max.)	300 N	
Force of pressure (max.)	200 N (depending on stroke), see force-path diagram	
Holding force (max.)	2000 N	
Leaf weight (max.) ¹⁾	200 kg ¹⁾	
Overlap range	8-23 mm	
Electrical data		
Operating voltage	24 V ± 25 %	
Current consumption	Ventilation (24 V): 0.9 A; RWA (18 V): 1.1 A	
Power consumption (max.)	20 W	
Duty rating	30 %	
Length of power supply cable	2 m	
Special length of power supply cable	5 m, 7.5 m	
Cable dimensions	4 x 0.75 mm ²	
Temperature range	-5 – 70 °C	
IP rating / protection rating	IP 40 / III	
Functions		
Stroke length settable	•	
Syncro function	•	
Opening speed settable (ventilation)	•	
Additional locking device available	•	
Type of additional locking device	Locking drive	
Type of stroke shortening	Synchronising unit, factory setting	
End position cut-off extended	electronic via internal path sensor	
End position cut-off retracted	electric, electronic via current consumption	
Overload cut-off	•	
Complete opening within 60 s	yes, including locking drive	
SHEV tested	•	
Synchronisation (max.)	3 drives	
Types of installation		
Bottom-hung window	inward-opening	Frame / leaf
	outward-opening	Frame
Side-hung window	inward-opening	Frame / leaf
	outward-opening	Frame
Top-hung window	inward-opening	Frame
	outward-opening	Frame

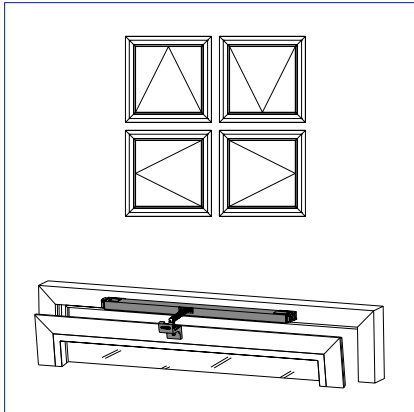
• = YES

The overall weight is limited by the hinges and depends on the details provided by the profile system manufacturer

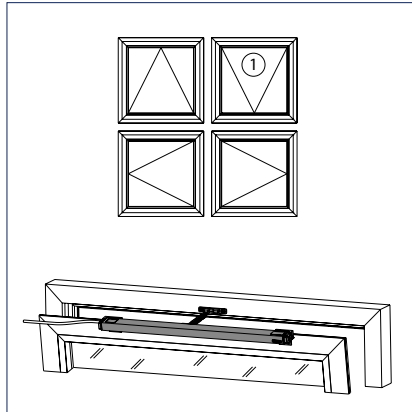
GEZE Slimchain

TYPES OF INSTALLATION

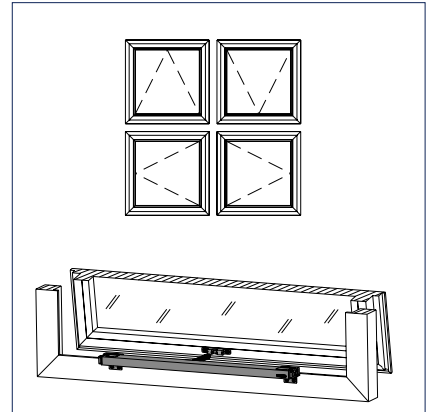
Frame installation INWARD opening



Leaf installation INWARD opening



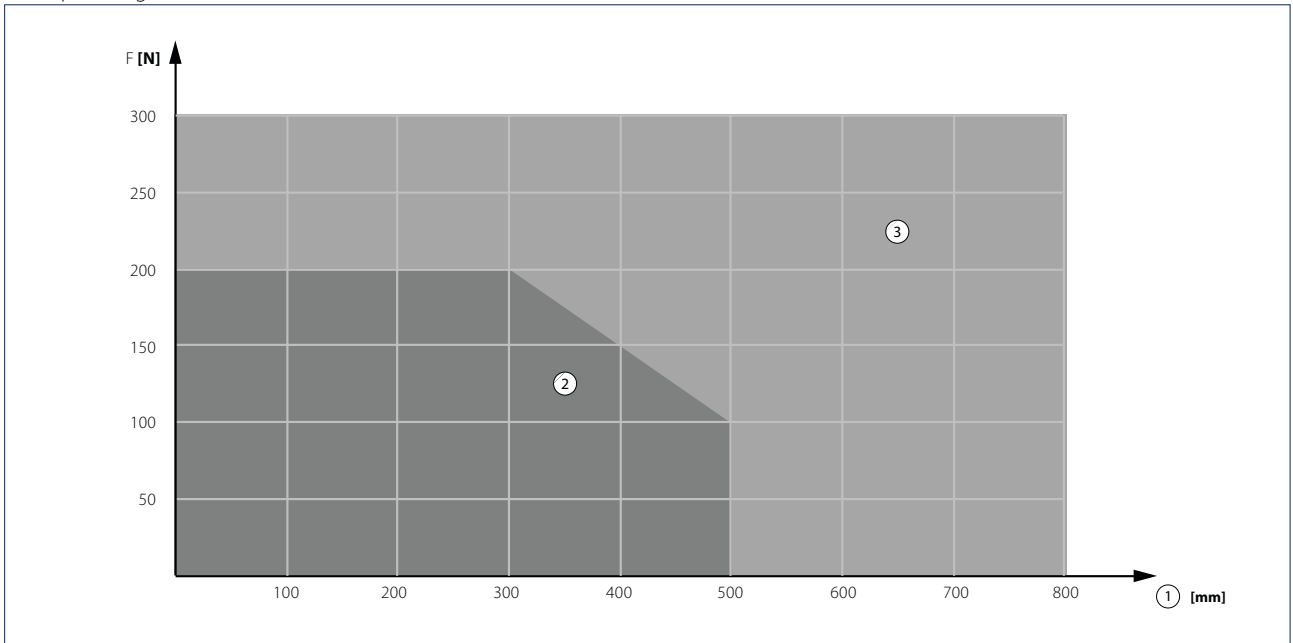
Frame installation OUTWARD opening



1 = On request

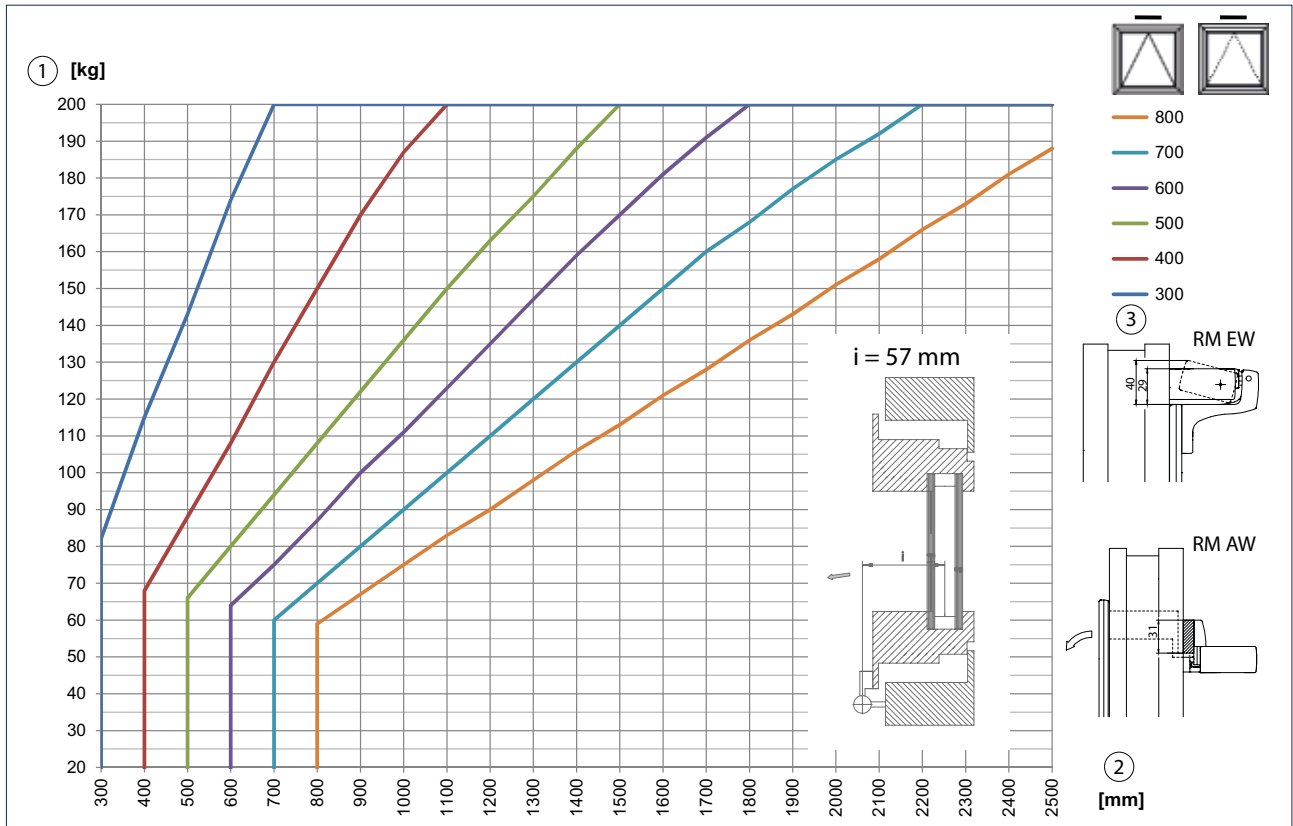
FORCE-PATH DIAGRAM

Force-path diagram



- F = Force
- 1 = Stroke
- 2 = Pressure
- 3 = Pull

Area of application bottom-hung window frame installation INWARD-OPENING (drive can be swivelled) / bottom-hung window frame installation OUTWARD-OPENING (drive can be swivelled)



Area of application applies for one Solo drive, for Syncro 2 or Syncro 3 the leaf weight can be doubled or tripled.

The details provided by the profile system manufacturer must be heeded.

1 = Leaf weight

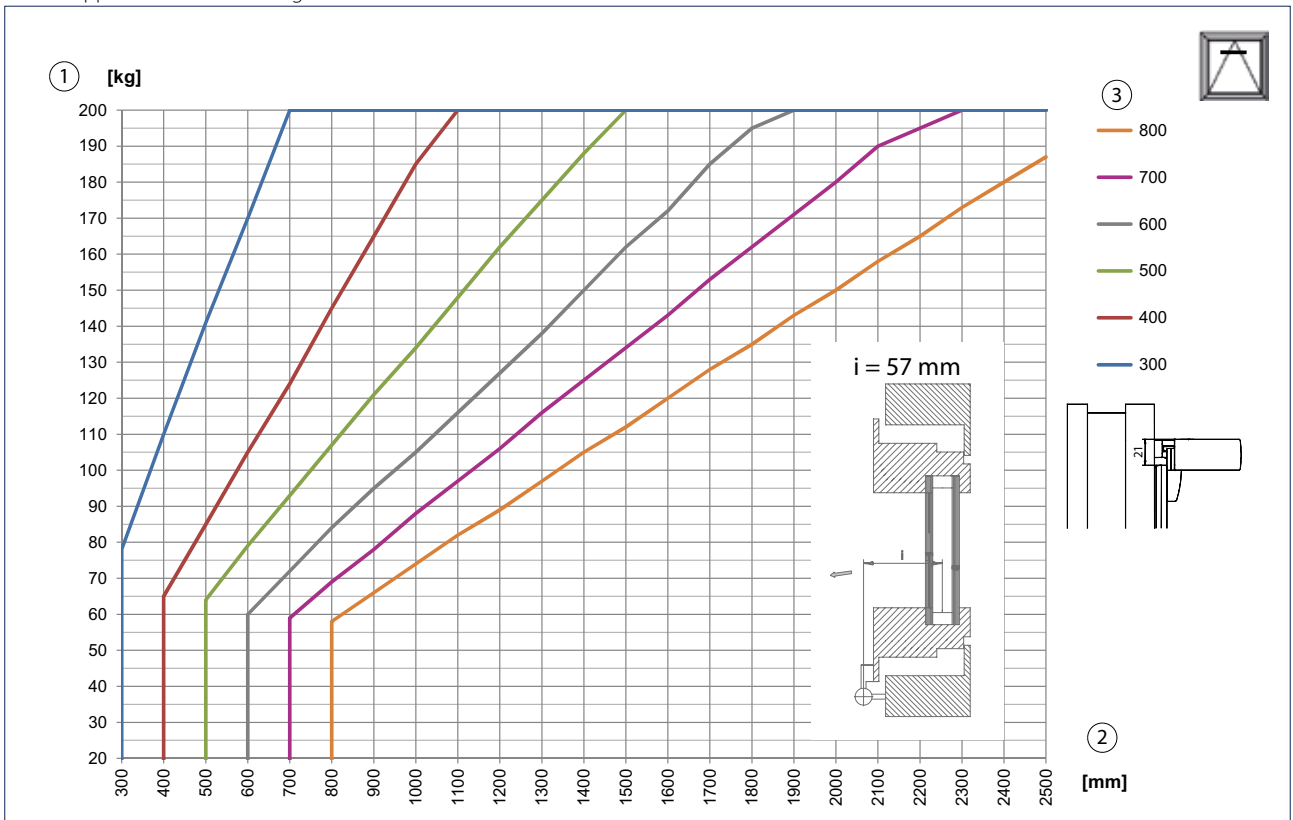
2 = Secondary closing edge

3 = Stroke

RM EW = Frame installation INWARD-OPENING

RM AW = Frame installation OUTWARD-OPENING

Area of application bottom-hung window leaf installation INWARD-OPENING



Area of application applies for one Solo drive, for Syncro 2 or Syncro 3 the leaf weight can be doubled or tripled.

The details provided by the profile system manufacturer must be heeded.

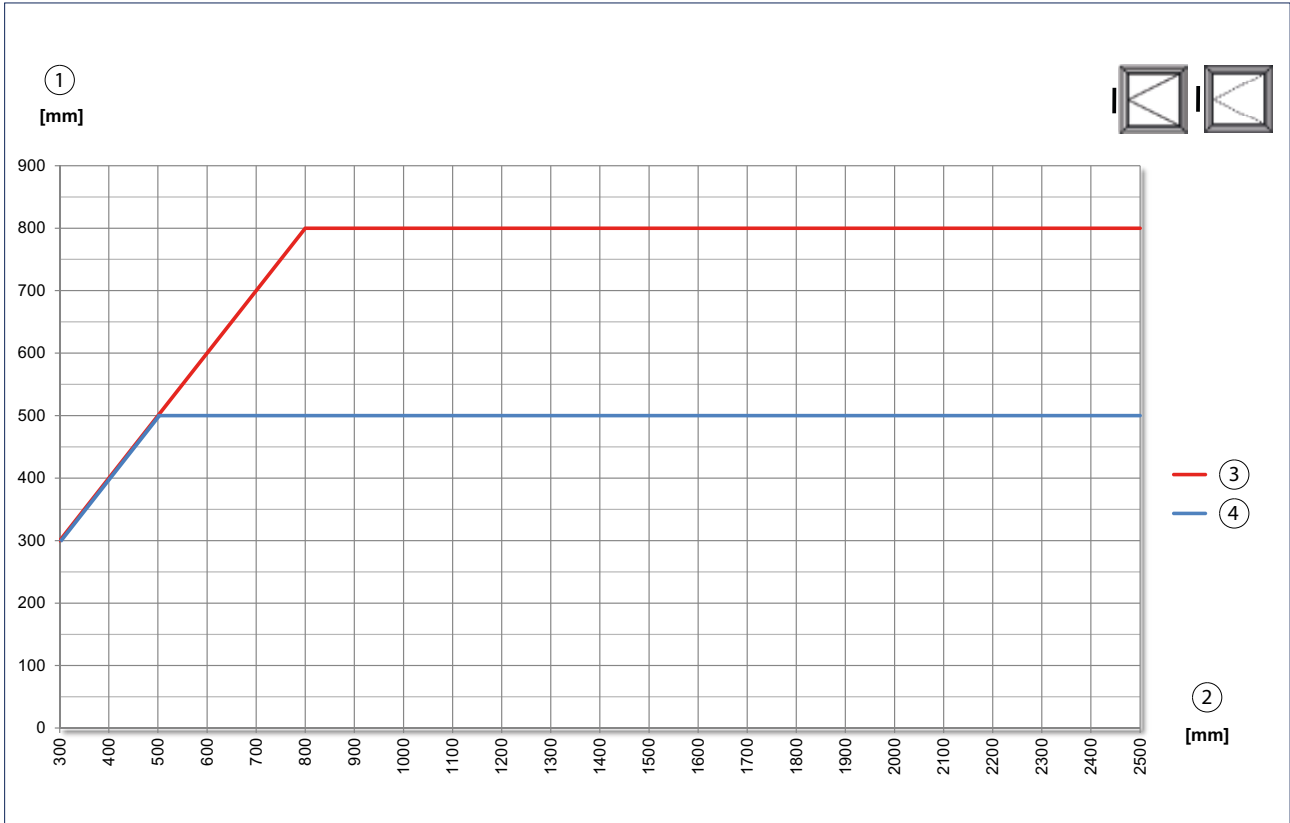
1 = Leaf weight

2 = Secondary closing edge

3 = Stroke

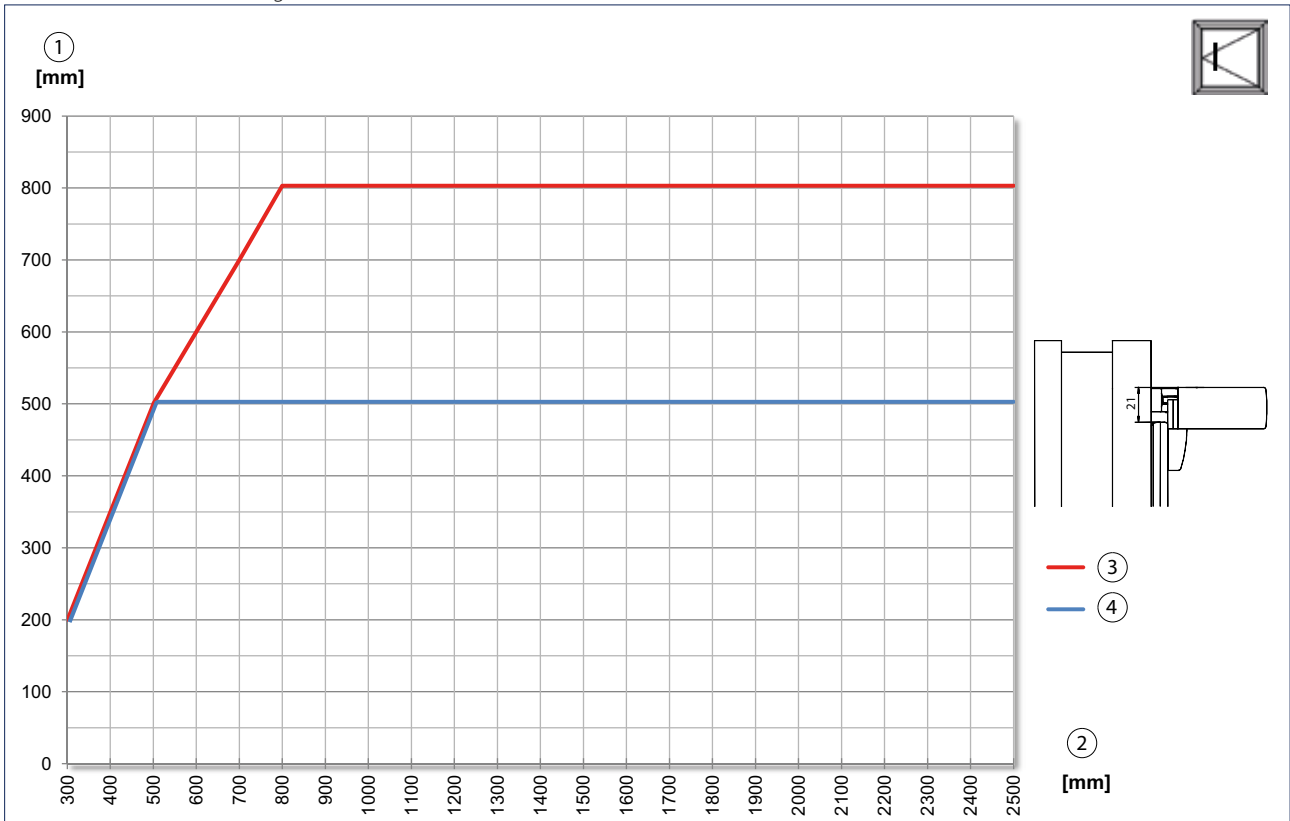
GEZE Slimchain

Minimum leaf width side-hung window frame installation INWARD-OPENING / side-hung window frame installation OUTWARD-OPENING



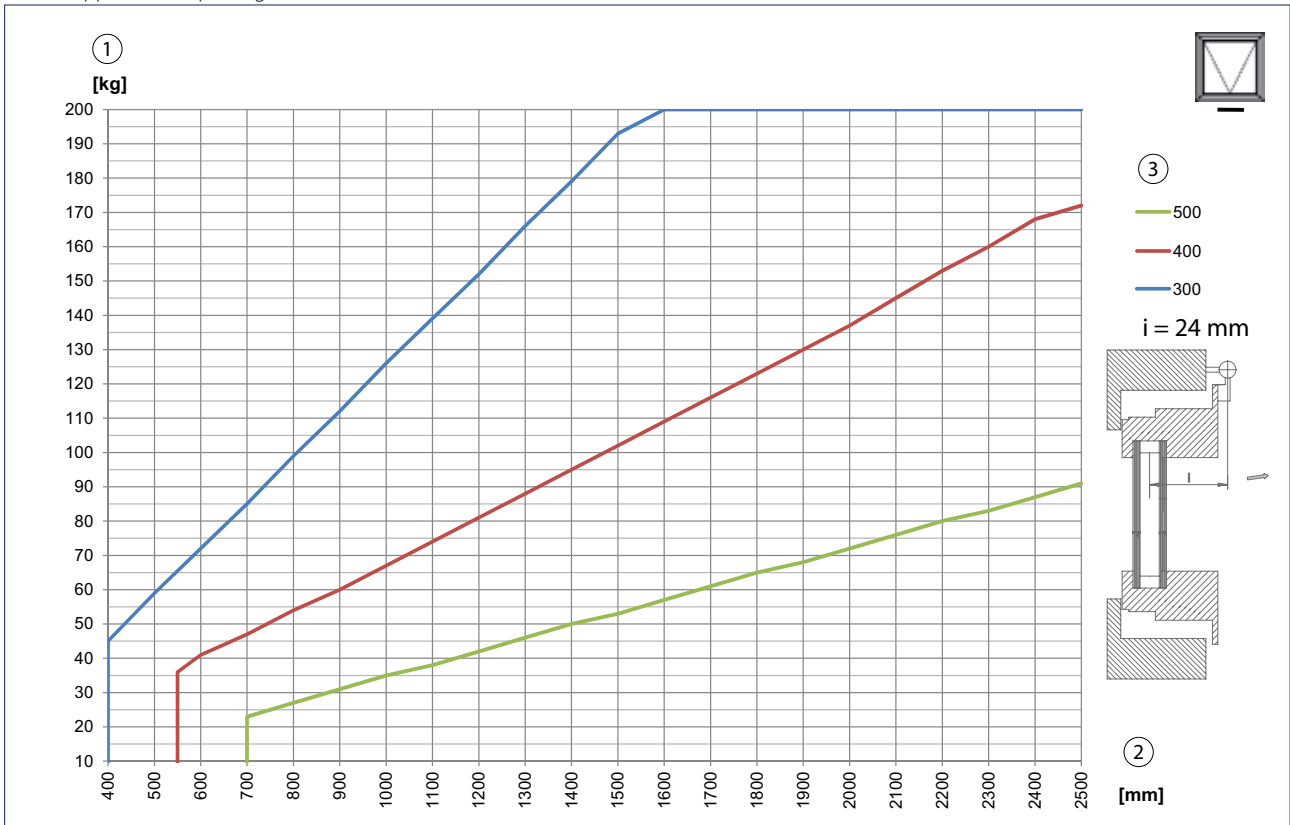
- 1 = Stroke
- 2 = Secondary closing edge
- 3 = Alarm
- 4 = Ventilation

Minimum leaf width side-hung window leaf installation INWARD-OPENING



- 1 = Stroke
- 2 = Secondary closing edge
- 3 = Alarm
- 4 = Ventilation

Area of application top-hung window frame installation OUTWARD-OPENING (drive can be swivelled)



Area of application applies for one Solo drive, for Syncro 2 or Syncro 3 the leaf weight can be doubled or tripled.

The details provided by the profile system manufacturer must be heeded.

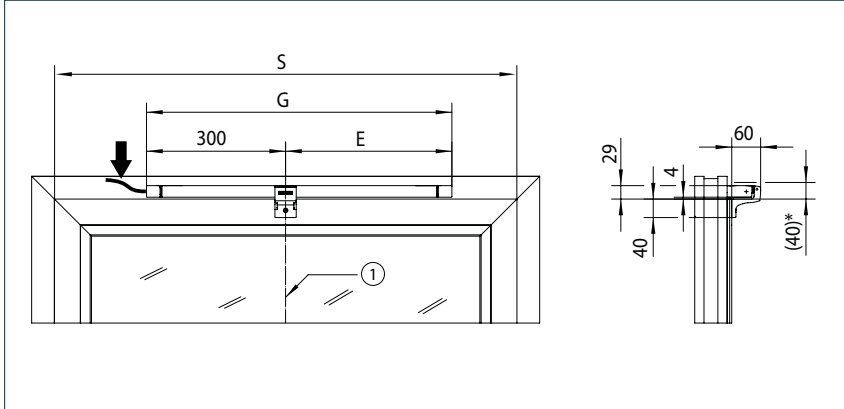
- 1 = Leaf weight
- 2 = Secondary closing edge
- 3 = Stroke

SPACE REQUIREMENT

Stroke	E [mm]	G [mm]	S [mm]
300	260	560	600
500	360	660	720
800	510	810	1020

Note: Illustrations with cable side left, cable side right is mirrored

Space requirement frame installation INWARD opening

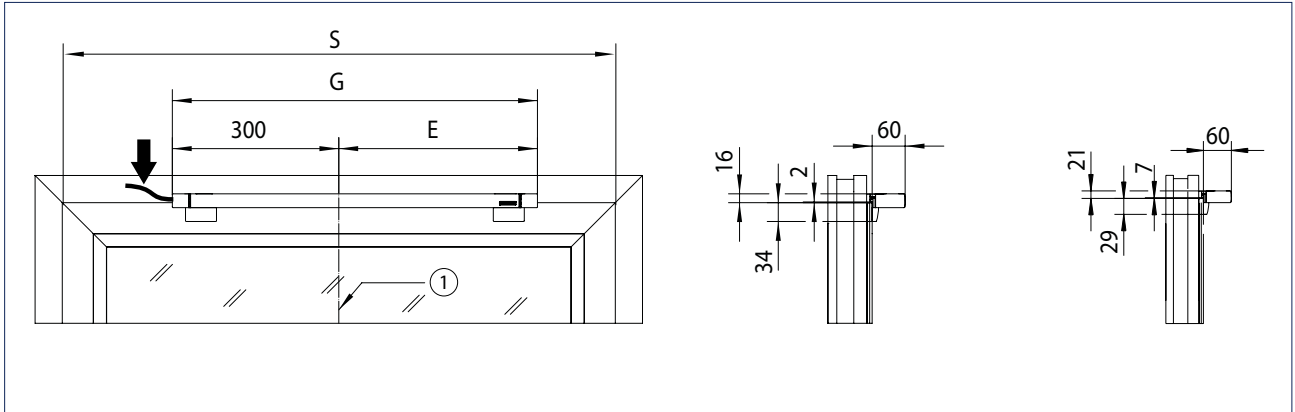


See table for dimensions for E, G and S

1 = Centre of window

* = Swivelling range

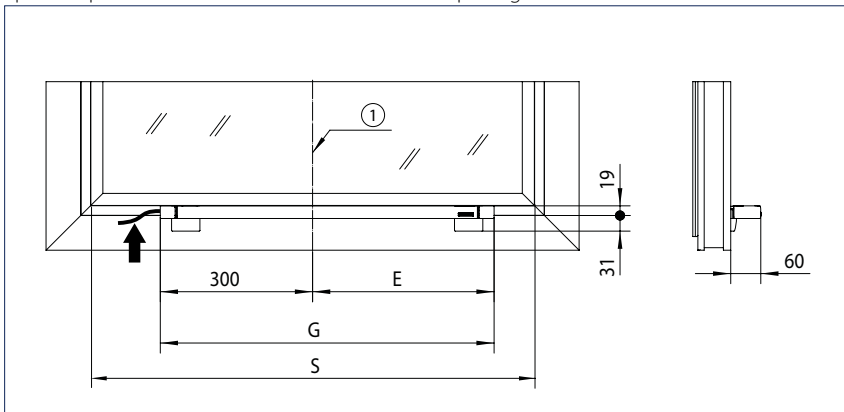
Space requirement leaf installation INWARD opening



See table for dimensions for E, G and S

1 = Centre of window

Space requirement frame installation OUTWARD opening



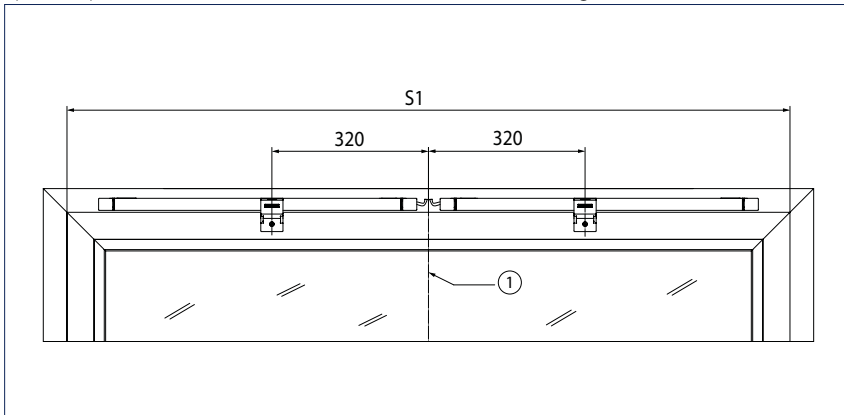
See table for dimensions for E, G and S

1 = Centre of window

SPACE REQUIREMENT - Syncro 2

Note: The illustrations apply for all installation possibilities.

Space requirement for installation with one left-hand and one right-hand drive

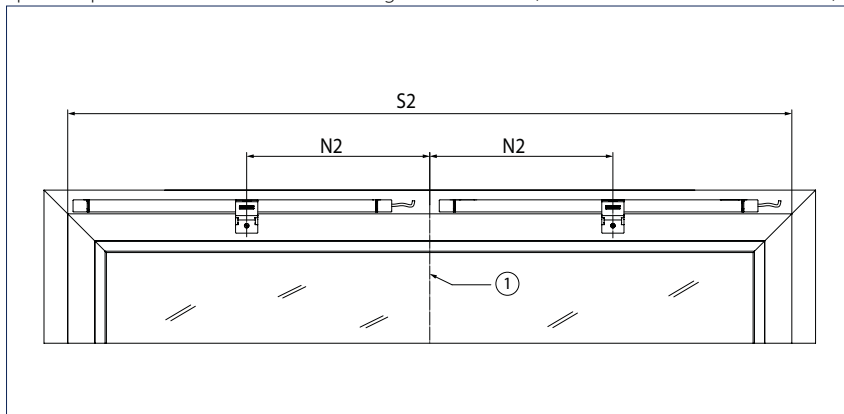


Note: Not suitable for side-hung windows.
See table for dimensions for S1

1 = Centre of window

Stroke	S1 [mm] min.	ID no. EV1/white RAL 9016	Quantity
300	1160	147030/147031 R	1
		147035/147036 L	1
500	1360	147040/147041 R	1
		147045/147046 L	1
800	1660	147050/147051 R	1
		147055/147056 L	1

Space requirement installation with two right-hand drives (mirrored for two left-hand drives)



Note: Suitable for side-hung windows.
See table for dimensions for S2 and N2

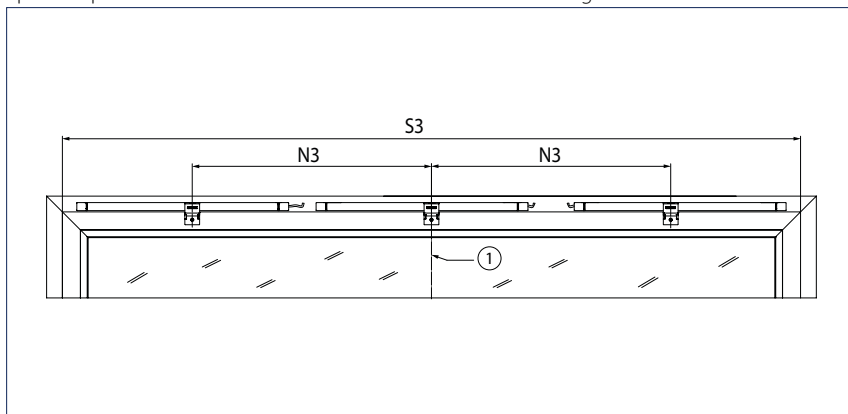
1 = Centre of window

Stroke	N2 [mm]	S2 [mm] min.	ID no. EV1/white RAL 9016	Quantity	ID no. EV1/white RAL 9016	Quantity
300	300	1200	147030/147031 R	2	147030/147031 R	-
			147035/147036 L	-	147035/147036 L	2
500	350	1420	147040/147041 R	2	147040/147041 R	-
			147045/147046 L	-	147045/147046 L	2
800	425	1870	147050/147051 R	2	147050/147051 R	-
			147055/147056 L	-	147055/147056 L	2

GEZE Slimchain

SPACE REQUIREMENT - Syncro 3

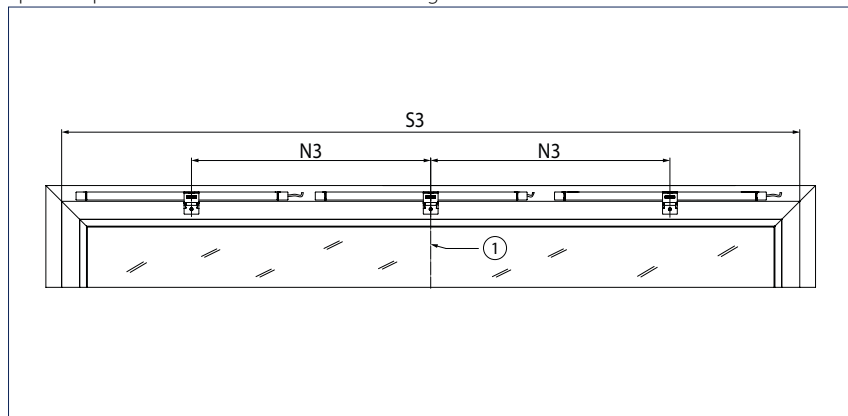
Space requirement for installation with one left-hand and two right-hand drives



Note: Not suitable for side-hung windows.
See table for dimensions for S3 and N3
1 = Centre of window

Stroke	N3 [mm]	S3 [mm] min.	ID no. EV1/ white RAL 9016	Quantity	ID no. EV1/ white RAL 9016	Quantity
300	640	1800	147030/147031 L, R	2	147030/147031 L, R	1
			147035/147036 L, R	1	147035/147036 L, R	2
500	700	2120	147040/147041 L, R	2	147040/147041 L, R	1
			147045/147046 L, R	1	147045/147046 L, R	2
800	850	2720	147050/147051 L, R	2	147050/147051 L, R	1
			147055/147056 L, R	1	147055/147056 L, R	2

Space requirement for installation with three right-hand drives

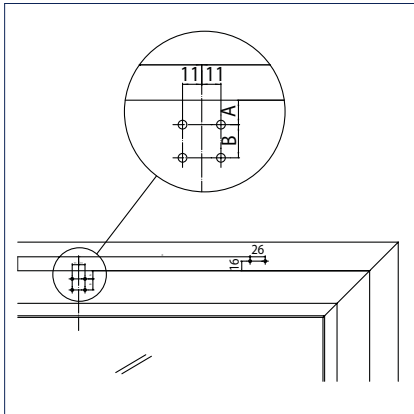
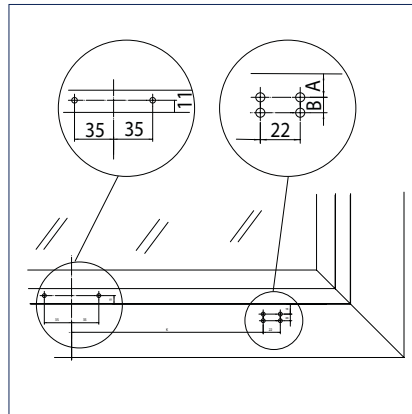


Note: Suitable for side-hung windows.
See table for dimensions for S3 and N3
1 = Centre of window

Stroke	N3 [mm]	S3 [mm] min.	ID no. EV1/white RAL 9016	Quantity	ID no. EV1/white RAL 9016	Quantity
300	600	1800	147030/147031 L, R	3	147030/147031 L, R	-
			147035/147036 L, R	-	147035/147036 L, R	3
500	700	2120	147040/147041 L, R	3	147040/147041 L, R	-
			147045/147046 L, R	-	147045/147046	3
800	850	2720	147050/147051 L, R	3	147050/147051 L, R	-
			147055/147056 L, R	-	147055/147056 L, R	3

INSTALLATION DIMENSIONS - recommendation

frame installation INWARD-OPENING

leaf installation INWARD-OPENING,
frame installation OUTWARD-OPENING

Material	Manufacturer	Profile system	Frame installation INWARD-OPENING		Leaf installation INWARD-OPENING 21 mm 4 screws		with 2 screws with rivet nuts	Frame installation OUTWARD-OPENING		with 2 screws with rivet nuts
			A	B	A	B	A	A	B	A
Aluminium	Aluprof	MB-60	14	19	9	8	13			
		MB-70	14	19	9	8	13			
	Gutmann	S70	14	19	9	10	13			
		065	14	19	9	11	13			16 ¹⁾
	Heroal	110ES	14	19	9	9	13			16 ¹⁾
		Lambda 65	14	19	9	11	13	11 ^{2),3)}	9 ^{2,3)}	15 ²⁾
	Hueck	Lambda 77	14	19	9	11	13	11 ^{2),3)}	9 ^{2,3)}	15 ²⁾
		Frame+ 65 W	14	19	9	11	13	14 ¹⁾	17 ¹⁾	
	Raico	Frame+ 75 WB	14	19	9	11	13	14 ¹⁾	17 ¹⁾	
		AWS 65	14	19	10	9	14	11	11	14
Schueco	AWS 75	14	19	10	9	14	11	11	14	
	1074	13 ⁵⁾⁶⁾	18 ⁵⁾⁶⁾			13			18 ²⁾⁷⁾	
SAPA	1086	13 ⁵⁾⁸⁾	18 ⁸⁾			13				
	Wicona	Wicline 65 EVO	14	11	10	10	14			14 ²⁾
Wicona	Wicline 75 EVO	14	11	10	10	14			14 ²⁾	
	Plastic	EgoKiefer	AS1	17	11	11	8	17		
Profine		Kömmerring 88plus ⁴⁾	18	14	11	8	11			
		Veka	Alphaline 90	15	18	10	8	15		
Softline 82 MD	15		18	10	8	15				
Timber	Gutmann	Mira	22	11	8	10				
	Landgraf	IV79	22	11	8	10				
	Oertli	IV68/IV80	22	11	8	10				

All dimensions in mm.

1) Installation dimension chain rack 14 instead of 11

2) Installation dimension chain rack 13 instead of 11

3) Only with tapping screws

4) On-site supports required, since overlap 24 mm

5) Installation dimension chain drive 18 instead of 16

6) All profile combinations with profile numbers 74102, 74112, 74202 or 74203 permitted

7) All profile combinations with profile numbers 74052 or 68713; A = 16 mm / installation dimension chain rack 17 instead of 11

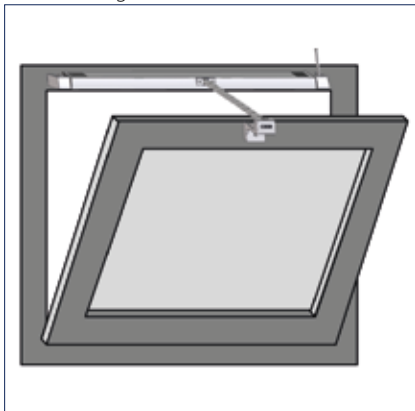
8) For all profile combinations with profile numbers 86102 or 86202; A = 16 mm / installation dimension chain rack 18 instead of 11

Further profile ranges on request.

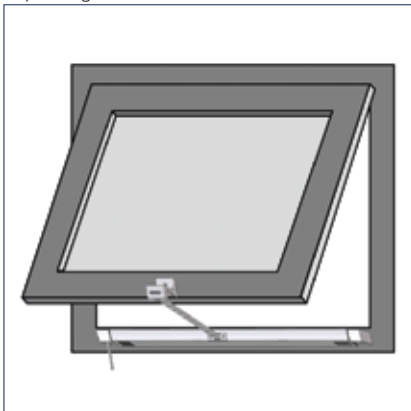
ORDERING AID

Casement INWARD opening frame installation

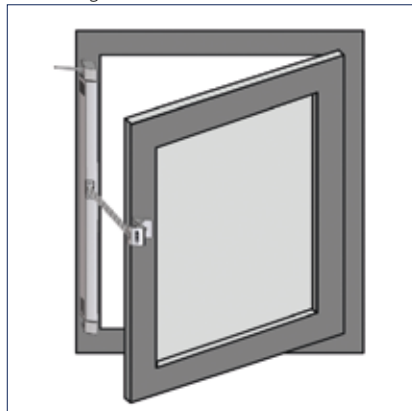
Bottom-hung casement INWARD-OPENING



Top-hung casement INWARD-OPENING



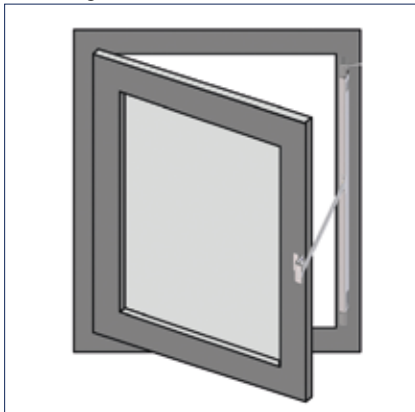
Side-hung casement DIN R INWARD-OPENING



Stroke	Version	Drive	Accessories
300	EV1	147030 Right	147060
300	white RAL 9016	147031 Right	147061
500	EV1	147040 Right	147060
500	white RAL 9016	147041 Right	147061
800	EV1	147050 Right	147060
800	white RAL 9016	147051 Right	147061

Casement INWARD opening frame installation

Side-hung casement DIN L INWARD-OPENING

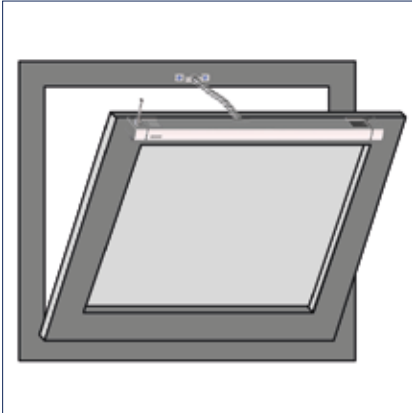


Stroke	Version	Drive	Accessories
300	EV1	147035 Left	147060
300	white RAL 9016	147036 Left	147061
500	EV1	147045 Left	147060
500	white RAL 9016	147046 Left	147061
800	EV1	147055 Left	147060
800	white RAL 9016	147056 Left	147061

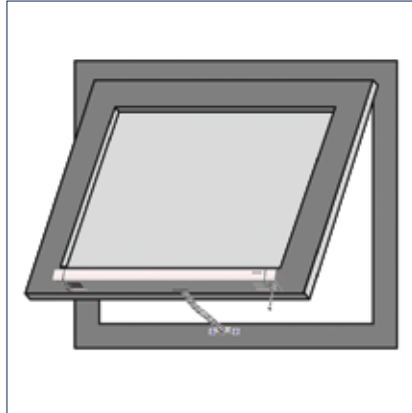
ORDERING AID

Casement INWARD opening leaf installation

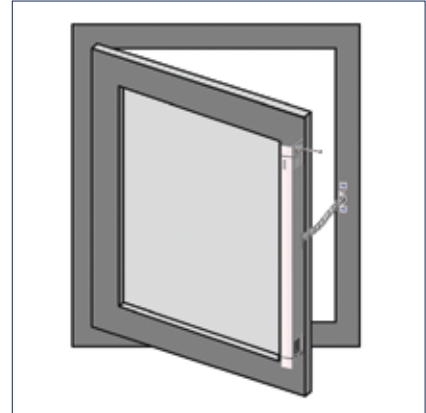
Bottom-hung casement INWARD-OPENING



Top-hung casement INWARD-OPENING



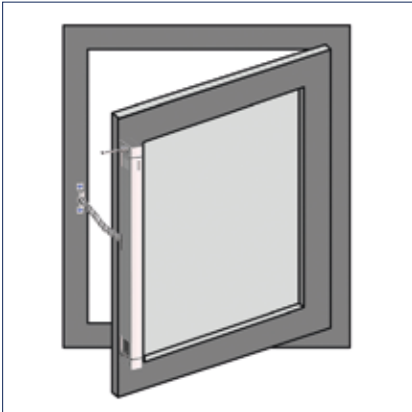
Side-hung casement DIN L INWARD-OPENING



Stroke	Version	Drive	Accessories
300	EV1	147030 Right	147062
300	white RAL 9016	147031 Right	147063
500	EV1	147040 Right	147062
500	white RAL 9016	147041 Right	147063
800	EV1	147050 Right	147062
800	white RAL 9016	147051 Right	147063

Casement INWARD opening leaf installation

Side-hung casement DIN R INWARD-OPENING

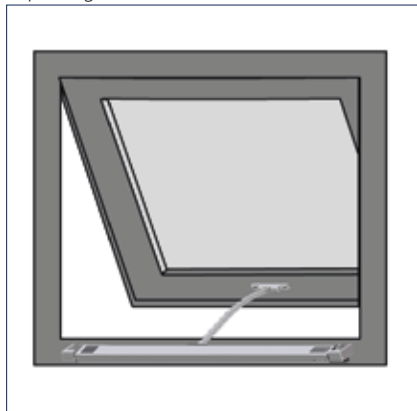


Stroke	Version	Drive	Accessories
300	EV1	147035 Left	147062
300	white RAL 9016	147036 Left	147063
500	EV1	147045 Left	147062
500	white RAL 9016	147046 Left	147063
800	EV1	147055 Left	147062
800	white RAL 9016	147056 Left	147063

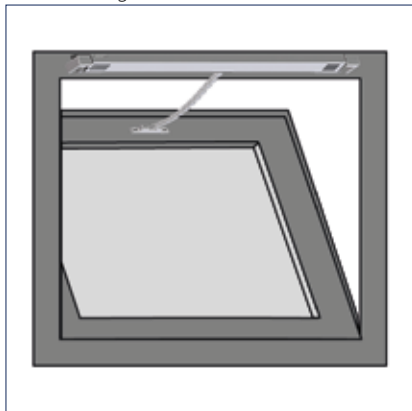
ORDERING AID

Casement OUTWARD opening frame installation

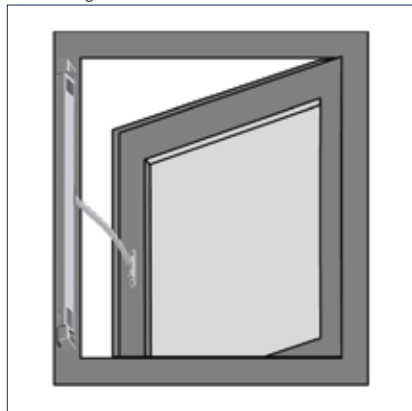
Top-hung casement OUTWARD-OPENING



Bottom-hung casement OUTWARD-OPENING



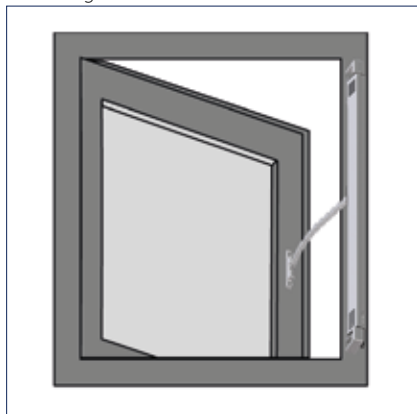
Side-hung casement DIN L OUTWARD-OPENING



Stroke	Version	Drive	Accessories
300	EV1	147030 Right	147062
300	white RAL 9016	147031 Right	147063
500	EV1	147040 Right	147062
500	white RAL 9016	147041 Right	147063
800	EV1	147050 Right	147062
800	white RAL 9016	147051 Right	147063

Casement OUTWARD opening frame installation

Side-hung casement DIN R OUTWARD-OPENING



Stroke	Version	Drive	Accessories
300	EV1	147035 Left	147062
300	white RAL 9016	147036 Left	147063
500	EV1	147045 Left	147062
500	white RAL 9016	147046 Left	147063
800	EV1	147055 Left	147062
800	white RAL 9016	147056 Left	147063

ORDER INFORMATION

Designation	Stroke	Version	ID no.
GEZE Slimchain L	300 mm	EV1	147035
	300 mm	white RAL 9016	147036
	500 mm	EV1	147045
	500 mm	white RAL 9016	147046
	800 mm	EV1	147055
	800 mm	white RAL 9016	147056
GEZE Slimchain R	300 mm	EV1	147030
	300 mm	white RAL 9016	147031
	500 mm	EV1	147040
	500 mm	white RAL 9016	147041
	800 mm	EV1	147050
	800 mm	white RAL 9016	147051
GEZE Slimchain - special version Can be configured: stroke, cable length, colour, version L/R			147070
Accessories			
Console set A Slimchain For bottom-hung, side-hung and top-hung windows, frame installation INWARD-OPENING	white RAL 9016		147061
	black		147060
Console set B Slimchain For bottom-hung, side-hung and top-hung windows, leaf installation INWARD-OPENING and frame installation OUTWARD-OPENING	white RAL 9016		147063
	black		147062
Console set C Slimchain For bottom-hung, side-hung windows, frame installation integrated INWARD-OPENING	silver-coloured		155878
Console set P Slimchain For profile-integrated installation, frame installation OUTWARD-OPENING	white RAL 9016		164396
	black		164394
	according to RAL		164397
Choice of consoles for Slimchain Can be configured: type of opening, colour	according to RAL		147071

Console set A Slimchain
(147060)Console set B Slimchain
(147062)Console set C Slimchain
(155878)Console set P Slimchain
(164394)